

# AutoDest Sensor for Rotavapor® R-300 Installation Guide

This Installation Guide is part of the Rotavapor® R-300 Operation Manual, chapter 5.10 „Fitting AutoDest sensor and vapor temperature sensor“. This Installation Guide can be downloaded from the BUCHI website in English, German, French, Italian, Spanish, Chinese and Japanese.

## 1. Scope of delivery

Product	Article number
AutoDest sensor for Rotavapor® R-300	11059225

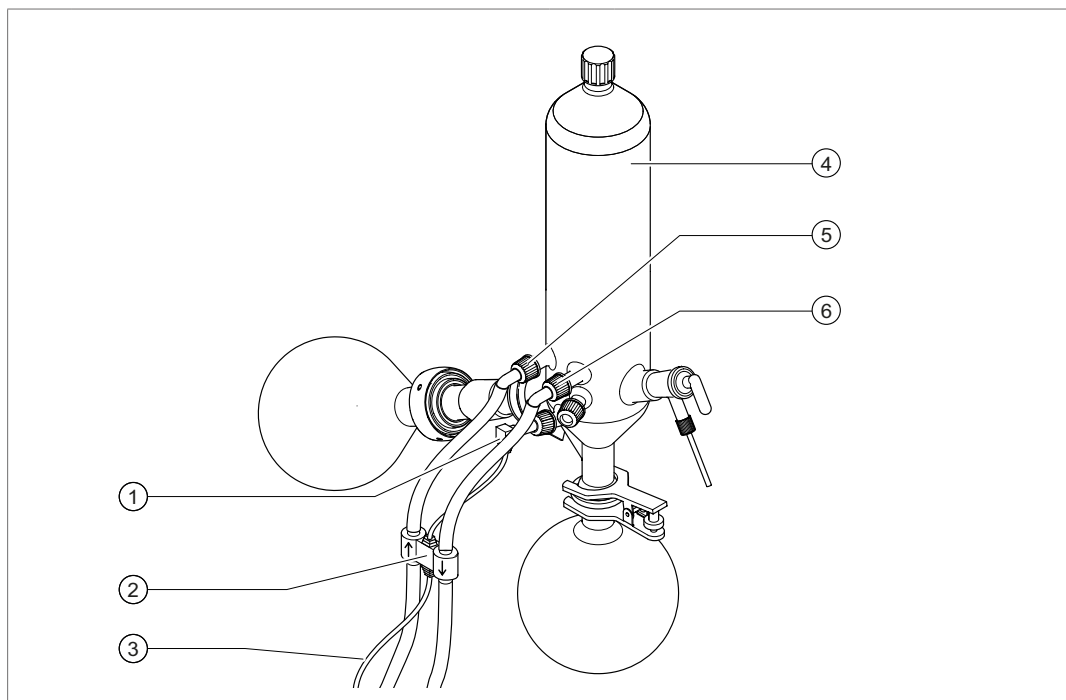
## 2. Description

When using an Interface I-300 / I-300 Pro there is the option of performing automatic distillation. Automatic distillation requires connection of an AutoDest sensor to the Rotavapor R-300. The AutoDest sensor is connected to the inlet and outlet of the cooling condenser and continuously measures the following temperatures:

- Temperature of the incoming coolant
- Temperature of the outgoing coolant
- Temperature of the vapor exiting the evaporating flask.

### NOTE

*The AutoDest sensor has to be calibrated when first used and also when connected to a new VacuBox (see Operating Instructions I-300/I-300 Pro, Section 8.5 "Calibrating AutoDest sensor").*



① Vapor temperature sensor	④ Cooling condenser
② AutoDest sensor	⑤ Coolant inlet on condenser
③ Communication connection between AutoDest sensor and VacuBox	⑥ Coolant outlet on condenser



## NOTE

*There are two arrows stamped on the AutoDest sensor indicating the direction of flow for the coolant. The hoses for the coolant must be connected according to the direction of flow as the AutoDest sensor measures the difference between the incoming and outgoing coolant temperature and communicates the readings to the VacuBox and interface unit for the purposes of automatic control.*

- ▶ Connect two tubes between the AutoDest sensor ② and the cooling condenser ④. When doing so pay attention to the direction of flow of the coolant. The arrows on the AutoDest sensor indicate the direction of flow.

## NOTE

*The distance between the AutoDest sensor and the cooling condenser should not be more than 10 to 20 cm so as not to falsify the readings for the incoming and outgoing coolant temperatures in the distillation system.*

- ▶ Connect a tube between the coolant inlet ⑤ on the AutoDest sensor and the outlet of the recirculating chiller.
- ▶ Connect a tube between the coolant outlet ⑥ on the AutoDest sensor and either the inlet of the recirculating chiller or another cooling condenser.
- ▶ Insert a vapor temperature sensor ① in the Rotavapor R-300 and fix it in place.
- ▶ Connect the outgoing cable from the AutoDest sensor to the VacuBox. Use the connection marked "VT/AS" for this lead.

## NOTE

*There should be no air bubbles in the coolant as otherwise correct functioning of the AutoDest sensor is not guaranteed.*



## BUCHI Affiliates:

### Europe

#### Switzerland/Austria

**BÜCHI Labortechnik AG**  
CH – 9230 Flawil  
T +41 71 394 63 63  
F +41 71 394 65 65  
buchi@buchi.com  
www.buchi.com

#### Benelux

**BÜCHI Labortechnik GmbH**  
Branch Office Benelux  
NL – 3342 GT Hendrik-Ido-Ambacht  
T +31 78 684 94 29  
F +31 78 684 94 30  
benelux@buchi.com  
www.buchi.be

#### France

**BUCHI Sarl**  
FR – 94656 Rungis Cedex  
T +33 1 56 70 62 50  
F +33 1 46 86 00 31  
france@buchi.com  
www.buchi.fr

#### Germany

**BÜCHI Labortechnik GmbH**  
DE – 45127 Essen  
T +800 414 0 414 0 (Toll Free)  
T +49 201 747 49 0  
F +49 201 747 49 20  
deutschland@buchi.com  
www.buechigmbh.de

#### Italy

**BUCHI Italia s.r.l.**  
IT – 20010 Cornaredo (MI)  
T +39 02 824 50 11  
F +39 02 575 12 855  
italia@buchi.com  
www.buchi.it

#### Russia

**BUCHI Russia/CIS**  
Russia 127287 Moscow  
T +7 495 36 36 495  
F +7 495 98 10 520  
russia@buchi.com  
www.buchi.ru

#### United Kingdom

**BUCHI UK Ltd.**  
GB – Oldham OL9 9QL  
T +44 161 633 1000  
F +44 161 633 1007  
uk@buchi.com  
www.buchi.co.uk

#### Germany

**BÜCHI NIR-Online**  
DE – 69190 Walldorf  
T +49 6227 73 26 60  
F +49 6227 73 26 70  
nir-online@buchi.com  
www.nir-online.de

### America

#### Brazil

**BUCHI Brasil**  
BR – Valinhos SP 13271-200  
T +55 19 3849 1201  
F +55 19 3849 2907  
brasil@buchi.com  
www.buchi.com

#### USA/Canada

**BUCHI Corporation**  
US – New Castle, DE 19720  
T +1 877 692 8244 (Toll Free)  
T +1 302 652 3000  
F +1 302 652 8777  
us-sales@buchi.com  
www.mybuchi.com

### Asia

#### China

**BUCHI China**  
CN – 200052 Shanghai  
T +86 21 6280 3366  
F +86 21 5230 8821  
china@buchi.com  
www.buchi.com.cn

#### India

**BUCHI India Private Ltd.**  
IN – Mumbai 400 055  
T +91 22 667 75400  
F +91 22 667 18986  
india@buchi.com  
www.buchi.in

#### Indonesia

**PT. BUCHI Indonesia**  
ID – Tangerang 15321  
T +62 21 537 62 16  
F +62 21 537 62 17  
indonesia@buchi.com  
www.buchi.co.id

#### Japan

**Nihon BUCHI K.K.**  
JP – Tokyo 110-0008  
T +81 3 3821 4777  
F +81 3 3821 4555  
nihon@buchi.com  
www.nihon-buchi.jp

#### Korea

**BUCHI Korea Inc.**  
KR – Seoul 153-782  
T +82 2 6718 7500  
F +82 2 6718 7599  
korea@buchi.com  
www.buchi.kr

#### Malaysia

**BUCHI Malaysia Sdn. Bhd.**  
MY – 47301 Petaling Jaya,  
Selangor  
T +60 3 7832 0310  
F +60 3 7832 0309  
malaysia@buchi.com  
www.buchi.com

#### Singapore

**BUCHI Singapore Pte. Ltd.**  
SG – Singapore 609919  
T +65 6565 1175  
F +65 6566 7047  
singapore@buchi.com  
www.buchi.com

#### Thailand

**BUCHI (Thailand) Ltd.**  
TH – Bangkok 10600  
T +66 2 862 08 51  
F +66 2 862 08 54  
thailand@buchi.com  
www.buchi.co.th

## BUCHI Support Centers:

#### South East Asia

**BUCHI (Thailand) Ltd.**  
TH-Bangkok 10600  
T +66 2 862 08 51  
F +66 2 862 08 54  
bacc@buchi.com  
www.buchi.com

#### Middle East

**BÜCHI Labortechnik AG**  
UAE – Dubai  
T +971 4 313 2860  
F +971 4 313 2861  
middleeast@buchi.com  
www.buchi.com

#### Latin America

**BUCHI Latinoamérica Ltda.**  
BR – Valinhos SP 13271-200  
T +55 19 3849 1201  
F +55 19 3849 2907  
latinoamerica@buchi.com  
www.buchi.com

We are represented by more than 100 distribution partners worldwide.  
Find your local representative at: [www.buchi.com](http://www.buchi.com)