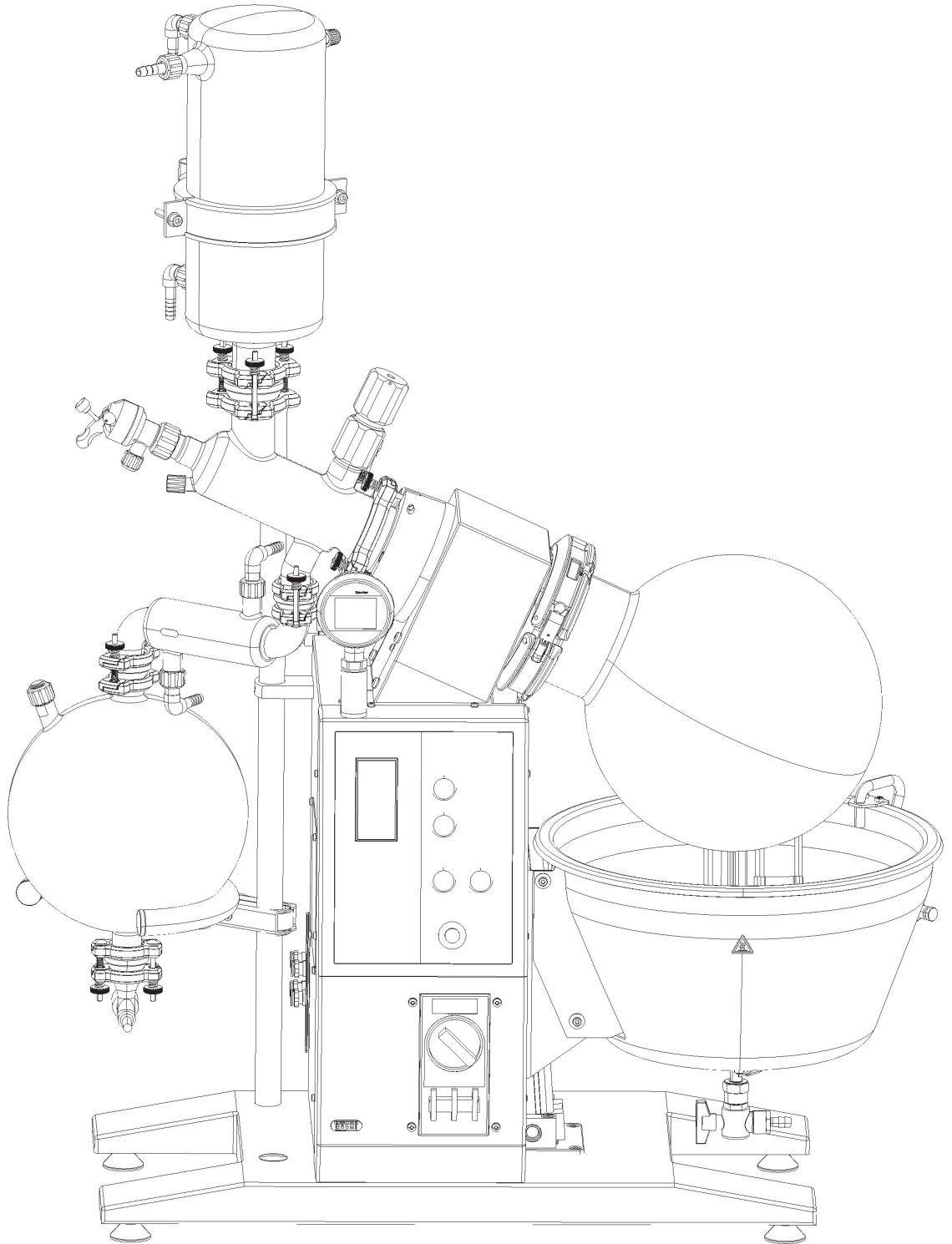




Rotavapor® R-220 EX

Operation Manual



096987L en

Imprint

Product Identification:
Operation Manual (Original), Rotavapor® R-220 EX

096987L en

Publication date: 01.2020

BÜCHI Labortechnik AG
Meierseggestrasse 40
Postfach
CH-9230 Flawil 1

E-Mail: quality@buchi.com

BUCHI reserves the right to make changes to the manual as deemed necessary in the light of experience; especially in respect to structure, illustrations and technical detail.

This manual is copyright. Information from it may not be reproduced, distributed, or used for competitive purposes, nor made available to third parties. The manufacture of any component with the aid of this manual without prior written agreement is also prohibited.

Table of Contents

1	Scope of Delivery				
2	Safety				
3	Function				
3.1	Principle of Operation				
4	Putting into Operation				
4.1	Installation Location				
4.2	Unpacking				
4.3	Connecting to the Source of Energy				
4.4	Setting up the Support Rod				
4.5	Attachment of the EasyClamp				
4.6	Removal of the EasyClamp				
4.7	Installation of the Reflux Glass Assembly				
4.8	Installation of the Downgrade Glass Assembly				
4.9	Installation of the Downgrade Glass Assembly with a 2 nd Cooler				
4.10	Installation of the Receiving Fixture				
4.11	Attaching and Removing Flasks				
4.12	Hose Couplings				
4.13	Operating the Shut-off tap				
4.14	Bath Replenishment (Optional)				
4.15	Reset of the over-temperature protection				
4.16	Heating Medium				
4.17	Compressed Air Connection				
4.18	Vacuum Controller				
4.19	Splash Protector				
4.20	Checking Installation				
5	Operation				
5.1	Arrangement of the Operator Control and Display Elements				
5.2	Setting the Parameters				
5.3	Vacuum Controller				
5.4	Splash Protector				
5.5	Tips and Tricks				
5.6	Table of Solvents				
4	Maintenance				
6.1	Troubleshooting				
6.2	Taking Apart the Snap Flange Coupling				
6.3	Assembling the Snap Flange Coupling				
6.4	Removing the Evaporating Flask Seal				
6.5	Inserting the Evaporating Flask Seal				
6.6	Replacement of the Seals for the Distribution Head				
6.7	Replacement of the Vacuum Seal				
6.8	Cleaning				
6.9	Vacuum Seal				
6.10	Testing for Leaks				
6.11	Customer Service				
7	Taking out of Operation				
7.1	Storage				
7.2	Packing/Transport				
7.3	Waste Disposal				
8	Spare Parts and Accessories				
8.1	Glass Assemblies D, D2, DB, DB2				
8.2	Glass Assemblies R, RB, C				
8.3	Miscellaneous				
8.4	Accessories				
9	Appendix				
9.1	Technical Data				
9.2	Materials Used				
9.3	Error Messages				
9.4	FCC requirements (for USA and Canada)				
9.5	Declaration of conformity				



Read this Operating Manual through carefully before using the Rotavapor **R-220 EX**. Always keep these Instructions readily available in the immediate vicinity of the unit so that they make be consulted at any time.

Chapter 2 contains important safety rules which must be observed to ensure the safe operation of the rotary evaporator.

We reserve the right to make technical changes without prior notification. No portion of this Operating Manual may be reproduced, processed using electronic or optical systems, duplicated, or distributed in any form without the prior written approval of BÜCHI Labortechnik AG.

All rights reserved. © BÜCHI Labortechnik AG, 2015

1 Scope of delivery

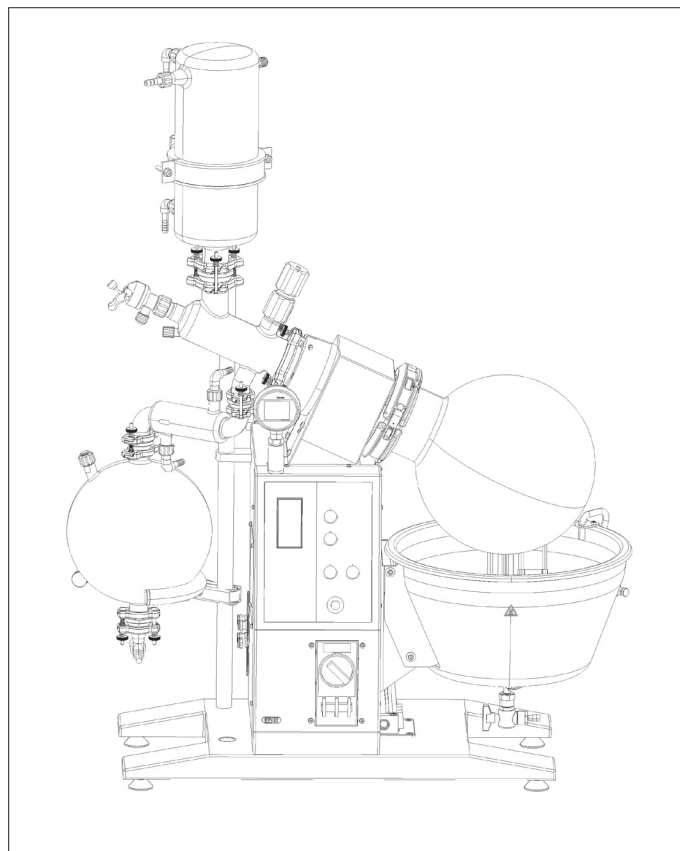


Fig. 1.1: R-220 Ex Overall View

Component

- | | |
|---|--|
| 1 | Chassis, complete, with control and driving unit and heating bath |
| 1 | 6L, 10L or 20L Evaporation flask |
| 1 | Receiving flask 1 x 10L Single receiver or 2 x 10L Interchangeable receivers |
| 1 | Glass assembly
(Refer to Chap. 4.7 - 4.9 for Figure) |

Table 1.1: Scope of Supply

Standard Accessories:

	Ordering No.
1 Seal tool	20075
1 Operating Manual	
German	96986
English	96987
French	96988
Italian	96989
Spanish	96990

Table 1.2: Standard Accessories

2 Safety

This unit has been built in accordance with the latest state of the art and with recognized rules of safety. Nevertheless there are certain risks and dangers entailed with this unit:

- whenever the unit is operated by individuals who lack sufficient training;
- whenever the unit is used for some purpose other than its authorized use.

2.1 Symbols



Stop

Information on dangers that can cause serious material damage and severe personal injuries or death.



Warning

Information on dangers that can be injurious to one's health or cause material damage.



Note

Information pointing out technical requirements. A failure to observe such information can lead to malfunctions, uneconomical operation, and losses in production.

2.2 Responsibilities of the Operator

This unit may only be used by technical staff and by individuals who, based on their training or their professional experience, have a good understanding of the dangers that can arise from its operation.

Staff who do not have this training and individuals who are currently in training must be given careful instructions. This Operating Manual should be used as the basis for such training.

2.3 Authorized Use

The rotary evaporator has been designed for use in technical laboratories and in production. It is authorized for use in applications that work with the evaporation and condensation of solvents.

It is used for:

- Evaporation of solvents and suspensions
- Drying of powders and granulates
- Re-crystallization
- Reactions under reflux
- Synthesis and Cleaning of refined chemicals
- Recycling and concentration of solvents

The authorized use of the Rotavapor also includes its care, upkeep, and careful handling in accordance with the provisions in this Operating Manual.

2.4 Unauthorized Use

Any use other than those indicated above, and any use that is not in conformity with the Technical Data is considered to be misuse. The operator himself bears sole responsibility for all damage or injuries arising from any such use.



The following applications in particular are strictly forbidden:

- The production and processing of materials that can cause spontaneous reactions, e.g., explosives;
- Working without the evaporation flask being immersed in the water bath (risk of breakage);
- The drying of hard, brittle materials (e.g., stones, soil samples) that might cause damage to the receiving flask;
- Sudden shock-cooling of the evaporating flask.



The Rotavapor R-220 EX is not intended for work done under overpressures

2.5 Basic Dangers

Basic dangers arise when working with the following:

- The hot water or oil bath (risk of being scalded);
- Contaminated solvents that produce residues from distillation which could cause spontaneous reactions (e.g., metal hydrides);
- Solvents that can produce peroxides (risk of explosions);
- Mixtures with unknown compositions or contamination;
- Damaged glassware;
- Electrostatic charges while working, e.g., during the transfer of combustible solutions and while drying powders;
- Temperatures of coolants that lie below the freezing point of the distillate (A clogging of the distillate cooler due to freezing out can result in too great an overpressure).

2.6 Safety Precautions

All regional and local laws and regulations must be observed.

The Rotavapor has been grounded internally to dissipate any electrostatic charges on it.

It is always mandatory to wear personal protective gear such as **protective eyewear** and **protective clothing**.



The machine must never be rotated without the snap flange coupling and evaporation flask being closed.

No distillation may be started unless the evaporating flask is immersed in the bath. There is always the risk that the neck of the flask might break off due to the great weight involved. There is a risk of becoming scalded while changing evaporating flasks. Wearing gloves prevents this.

Check the glass components regularly for possible damage, spreading impact marks, or cracks.



Never interrupt the grounding conductor (protective conductor). Otherwise there will be the risk of an electrical shock!

The operator bears responsibility for providing proper instruction of his operating staff. To aid him in doing this, translations of this Operating Manual are also available in several other languages. As an integral component of the rotary evaporator, this Operating Manual must be readily available at all times to the operating staff at the location where they are using the unit.

The operator must inform the manufacturer immediately of any and all events relevant to safety that occur in his use of this equipment.

2.7 Modifications

No modifications are permissible without consulting with and obtaining the written approval of the manufacturer.

No glass assemblies other than those recommended by the manufacturer may be used, nor may any glass components be put together arbitrarily.



Only those components of the rotary evaporator intended for fulfillment of its function may be installed in or removed from the unit. This may be done either by hand, or with the use of the tool supplied along with the unit. The removal of safety devices or covers using some commercially available tool is — other than for authorized commissioning personnel — strictly forbidden. Contact with parts that are electrically live may result in fatal injury!

2.8 Information on explosion protection

The R-220 EX rotary evaporator must not be operated in Zone 0 of ex-protected areas.



It is not permitted to open the housing, in particular the flameproof enclosure, and this task may only be carried out by trained service personnel.

The user may not disconnect, reconnect or in any way change the function of the electrical equipment and installation fittings. Changes may only be made by the manufacturer.

The acceptance inspection is made by an expert.

3 Function

A vacuum rotary evaporator is used for quick single-stage distillations that treat the product gently. The process is based on the evaporation and condensation of solvents in a rotating evaporating flask.

It is possible to work under a vacuum to ensure gentler treatment of the product and increase productive output.

Distillation may be done either under a vacuum or at atmospheric pressure.

A secure closeness is guaranteed in the low pressure range.

3.1 Principle of Operation

① Evaporation Zone

The solvent in the evaporating flask is heated by the heating bath. The rotation of the evaporating flask ensures an intensive exchange of heat and mass within the contents of the flask, forming a thin film of solvent on the inner surface of the flask. This combination of turbulence and film prevents local overheating and ensures high distillation speed.

② Rotary Drive

The drive unit ensures the uniform rotation of the evaporating flask.

③ Cooling Zone

The solvent vapor flows into the cooler at a high speed. This is where the energy in the solvent vapor is transferred to the cooling medium (e.g., water). The solvent condenses.

④ Receiving Flask

The receiving flask is used to collect the condensate.

⑤ Vacuum Cover

The system pressure is reduced so as to lower the boiling point of the solvent. The reduction in thermal loading that results ensures gentle treatment of the product and offers energetic advantages.

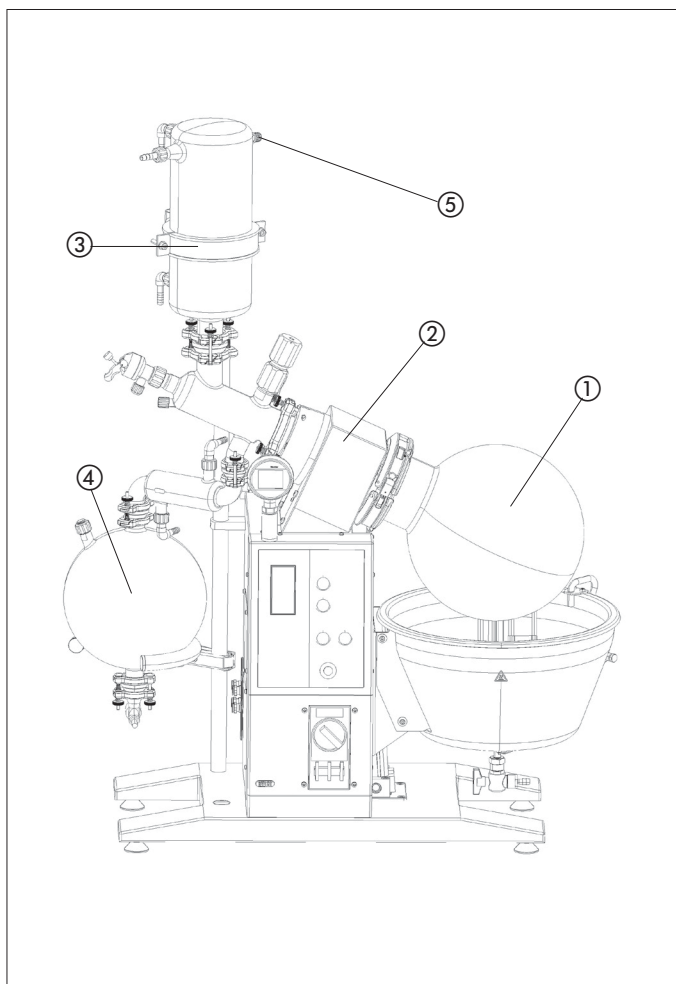


Fig. 3.1: Principle of operation of the R-220 EX



The pressure (vacuum) of distillation, the temperature of the heating bath, the rotational speed, and the size of the evaporating flask all affect the evaporation output. Refer to Chapter 5.5.3 for how to select the optimum conditions of distillation.

4 Putting into Operation



The danger zone around the Rotavapor R-220 can extend outward by up to 10 m. When working inside this danger zone, there is a risk of damaging the glass parts, which could cause them to implode.

The electrical connection must be installed and checked by an authorized person.

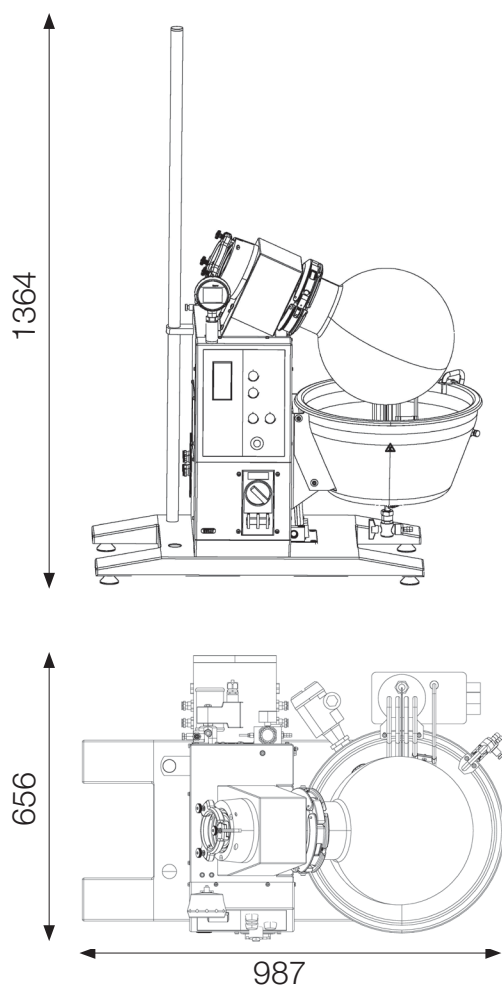


Fig. 4.1: Dimensions

4.1 Installation Location

Always set the unit up on a clean, stable, and flat surface. Never at a location where there is a great deal of personal traffic (breaking or broken glass)!

A check must always be made to ensure that the explosion-protection classification of the device is permissible for the EX-classification of the room. In particular, the zone allocation and the temperature class must agree.

The dimensions of the rotary evaporator incl. glass are:

Height:		
without trolley	Reflux	1700 mm
	Descending	1800 mm
	Bullfrog Reflux	1430 mm
	Bullfrog Descending	1550 mm
with trolley	Reflux	2300 mm
	Descending	2400 mm
Width:		
	Reflux	1100 mm
	Descending	1200 mm
	Descending with 2 coolers	1200 mm
Depth:		
	Single receiver	700 mm
	Interchangeable receivers	700 mm

4.2 Unpacking



Take care not to break the glass when opening cartons that contain glassware.

Look for any damage after unpacking. It is important that any damage in transit be identified right when unpacking. If necessary, make an immediate assessment of the situation (Notify the post office, the railroad, or the shipping company involved).

Save the original packing for possible transport at a later date.

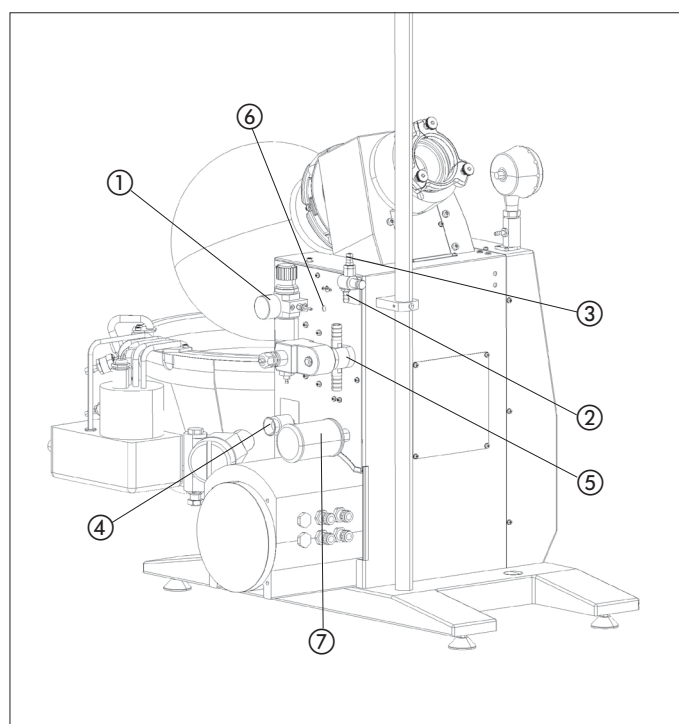


Fig. 4.2: Rear view

4.3 Connecting to the Source of Energy

The rotary evaporator may only be connected to the electrical supply by the trained person who has been assigned responsibility for this task. EN 50014 stipulates that, apart from the main cable being earthed, an equipotential bonding conductor must be connected in addition. This connection is on the back of the device approximately half way up.

The cooling medium must not exceed the maximum operating pressure of 2.7 bar abs. (shock-free).

- ① Compressed air inlet
- ② Fine regulation – cooling material inlet
- ③ Fine regulation – cooling material outlet
- ④ Mains cable
- ⑤ Vacuum valve
- ⑥ Vapor temperature sensor
- ⑦ Sound absorber

4.4 Setting up the Support Rod

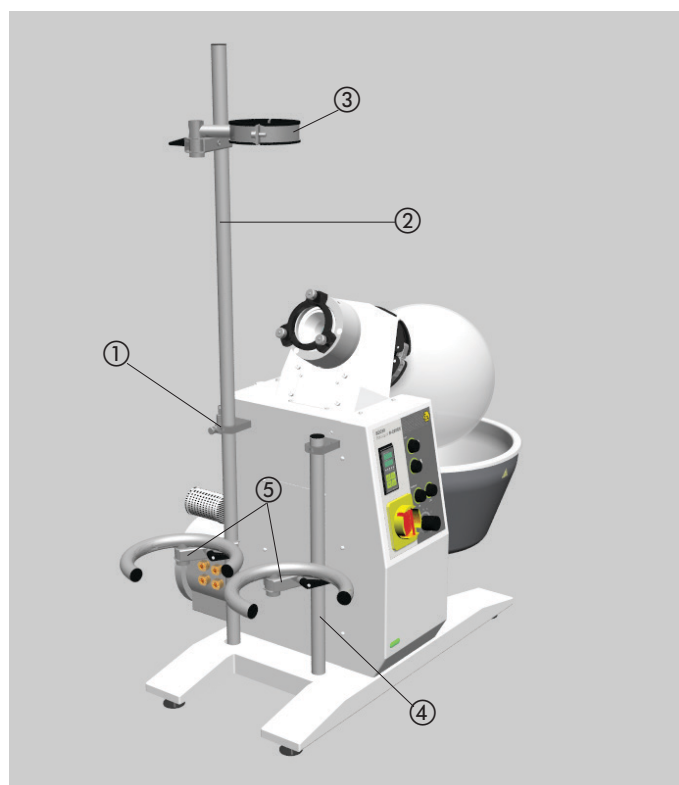


Fig. 4.3: Support Rod

- Place the support rod ② into the holder provided for it and lower it into the foot hole at the back. Fix it tight using the locking screw ①.
- Put the positioning ring over the rod, 150 mm below the upper edge.
- Lay the pivoting clamp ③ on top of the positioning ring.
- Attach the pivoting clamp ⑤ for the receiving flask 200 mm above the bottom edge of the rod.

When installing an interchangeable receiver:

- Place the short support rod into the holder at the front and lower it into the foot hole. Screw it tight using the locking screw ④.
- Attach the pivoting clamp ⑤ approx. 200 mm above the lower edge of the rod.



Fig. 4.4: Attachment of the EasyClamp

4.5 Attachment of the EasyClamp

- Carefully lay the EasyClamp around the glass and fold the top and bottom segments together, closing them at their open connection point.
- Insert the bolt that does not have a spacer spring, and tighten the knurled nuts slightly.
- Tighten all knurled nuts uniformly by hand.

Note:

Always tighten the knurled nuts by hand and not to the block (with the spring pressed together completely). Otherwise the prestressing will be lost.

There must always be a gap of about 2 mm between the knurled nut and the support surface.



Fig. 4.5: Removal of the EasyClamp

4.6 Removal of the EasyClamp

On all EasyClamp connections, **only the bolt without a spacer spring** has to be removed in order to open the connection.

- Release the knurled nuts on all (2 or 3) bolts until the springs have been relieved. Do not, however, screw the nut all the way off.
- On the bolt that does not have a spacer spring, release the knurled nut far enough (without removing it completely) so that the bolt can be tilted out and removed as a unit.
- At the connection point, which is now open, spread the top and bottom segments apart and carefully remove the EasyClamp.



4.7 Installation of the Reflux Glass Assembly

All glassware used must be intact, with no signs of cracks, spreading impact marks, or other damage. Inspect the glassware visually before installing it.

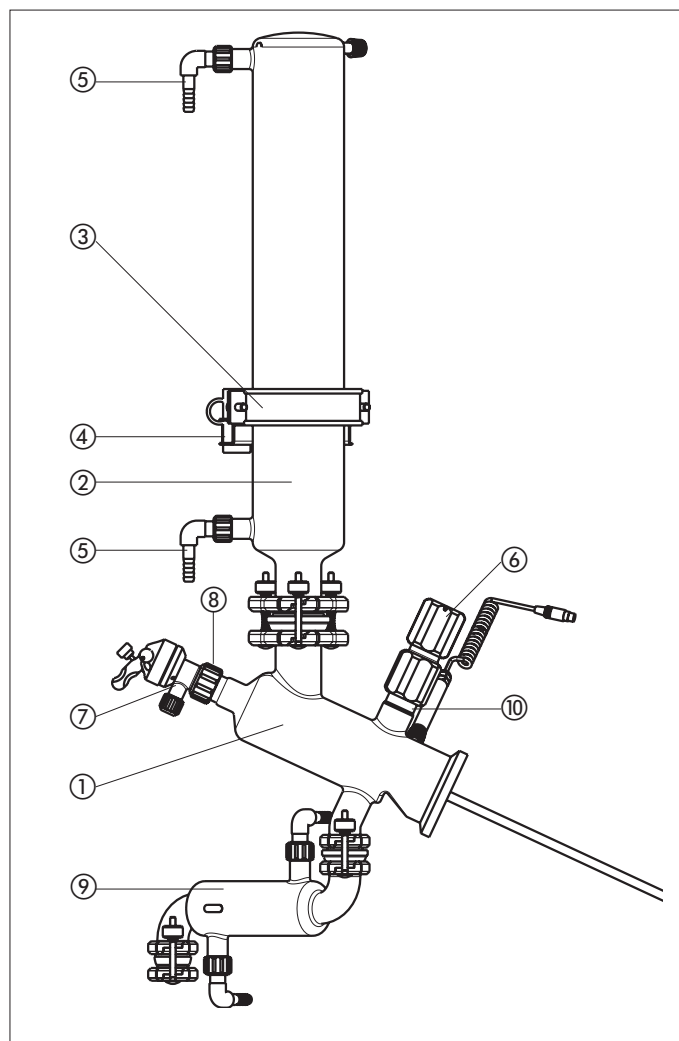


Fig. 4.6: Reflux glass assembly

- Fix the reflux distribution head ① in position on the gear head using a DN70 EasyClamp connection.
- Introduce the cooler ②, together with the cooler holder ③, into the pivoting clamp ④ and connect it to the distribution head (DN40 EasyClamp connection).
- Align the cooler ② in a vertical position and fix it in place with the pivoting clamp ④.
- Screw the cooling water hose nipples ⑤ onto the cooler ②.
- Insert the shut-off tap ⑥ into the distribution head ① and tighten it firmly.
- Introduce the stop cock ⑦ into the distribution head with the PTFE hose attached to it, and secure it with a standard joint clamp ⑧.
- Attach the condensate cooler ⑨ to the distributor head with a DN25 EasyClamp connection and fix it in position.
- Screw the temperature sensor ⑩ into the distribution head ①.
- Check all EasyClamp connections and tighten them evenly and in parallel.

→ The installation of the receiving fixture is described on Page 15.



4.8 Installation of the Descending Glass Assembly

All glassware used must be intact, with no signs of cracks, spreading impact marks, or other damage. Inspect the glassware visually before installing it.

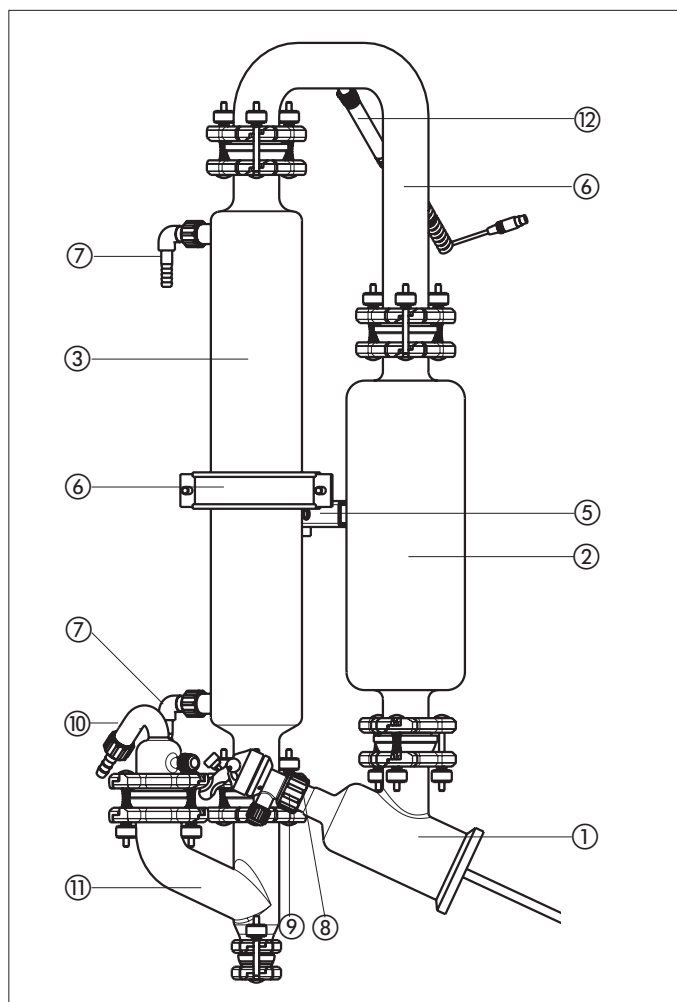


Fig. 4.7: Downgrade glass assembly

- Fix the descending distributor head ① in position on the gear head using a DN70 EasyClamp connection.
- Put the expansion vessel ② onto the distribution head and fix it in position with a DN40 EasyClamp connection.
- Introduce the cooler ③, together with the cooler holder ④, into the pivoting clamp ⑤ and connect it to the distribution head (DN40 EasyClamp connection).
- Connect to the cooler and the expansion vessel using the U-tube ⑥ and fix in position with two DN40 EasyClamp connections.
- Align the cooler ③ and the expansion vessel ② in their vertical positions and fix them in place with a pivoting clamp ⑤.
- Screw the cooling water hose nipples ⑦ onto the cooler ③.
- Insert the stop cock ⑧, with the PTFE hose mounted on it, into the distribution head, and secure it with a standard joint clamp SVL 30 ⑨.
- Fasten the vacuum connector ⑩ to the Y-connection ⑪ with a DN40 EasyClamp connection and fix the unit in place on the lower end of the cooler with a DN40 EasyClamp.
- Screw the temperature sensor ⑫ into the support connection in the U-tube ⑥.
- Check all EasyClamp connections and tighten them evenly and in parallel.

→ The installation of the receiving fixture is described on Page 15.

4.9 Installation of the Descending Glass Assembly with a 2nd Cooler



Es dürfen nur einwandfreie Glaswaren eingesetzt werden, die keine Risse, Sterne oder sonstigen Beschädigungen aufweisen. Die Glaswaren sind vor der Installation visuell zu kontrollieren.

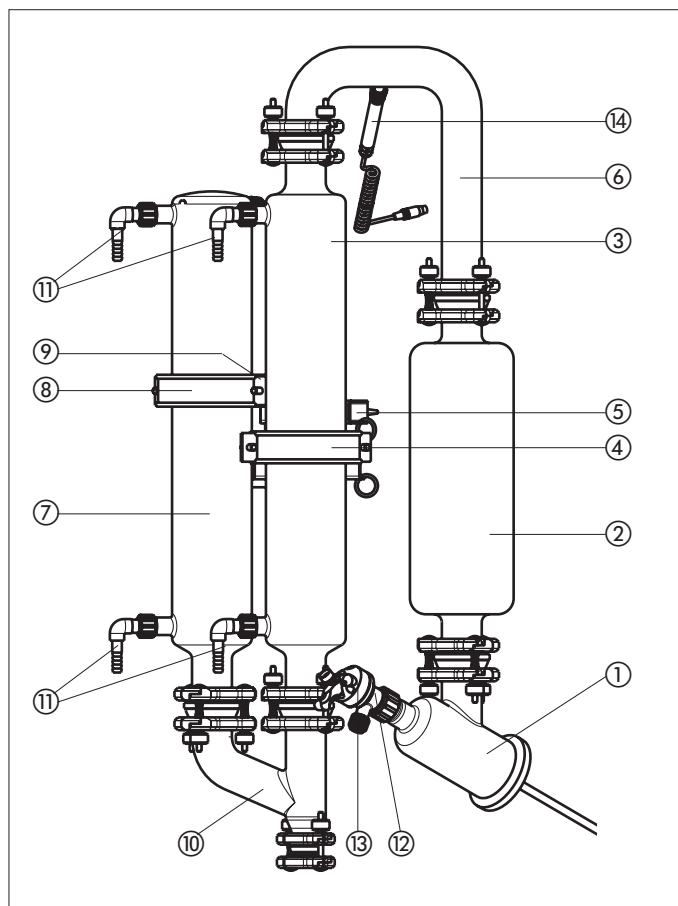


Fig. 4.8: Downgrade glass assembly with two coolers

- Fix the descending distributor head ① in position on the gear head using a DN70 EasyClamp connection.
- Place the expansion vessel ② on the distribution head and fix it in position with a DN40 EasyClamp connection.
- Introduce the cooler ③, together with the cooler holder ④, into the pivoting clamp ⑤.
- Connect the cooler and the expansion vessel with the U-tube ⑥ and fix them in position with two DN40 EasyClamp connections.
- Insert the second cooler ⑦, together with the cooler holder ⑧, into the pivoting clamp ⑨.
- Join the two coolers with the Y-connection ⑩ and fix them in position with two DN40 EasyClamp connections.
- Align the coolers (③ and ⑦) and the expansion vessel ② in their vertical positions and fix them in place with pivoting clamps (⑤ and ⑨).
- Screw the cooling water hose nipples ⑪ onto coolers ③ and ⑦.
- Insert the stop cock ⑫, with the PTFE hose mounted on it, into the distribution head, and secure it with a standard joint clamp SVL 30 ⑬.
- Screw the temperature sensor ⑭ into the support connection in the U-tube.
- Check all EasyClamp connections and tighten them evenly and in parallel.

→ The installation of the receiving fixture is described on Page 15.



All glassware used must be intact, with no signs of cracks, spreading impact marks, or other damage. Inspect the glassware visually before installing it.

4.10 Installation of the Receiving Fixture

Single Receiver

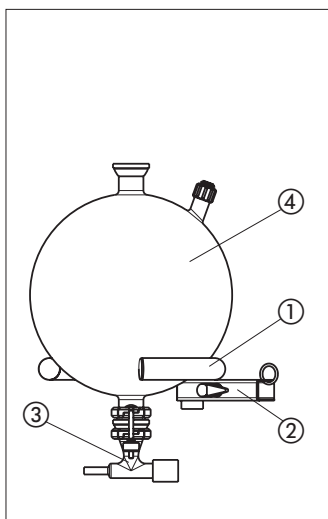


Fig. 4.9: Single receiver, reflux

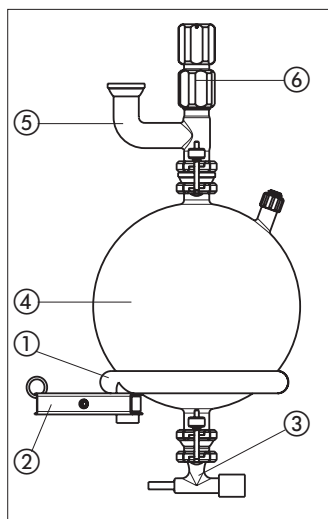


Fig. 4.10: Single receiver, downgrade

- Fasten the support ring ① to the support rod with a pivoting clamp ②.
- Screw the outlet valves ③ on the receiving flask ④ on tight using a DN25 EasyClamp connection.
- Place the receiving flask on the support ring ①.

With a reflux glass assembly:

- Bring the support up and fix the flask in position on the dis-tillate cooler using a DN25 EasyClamp connection.

With a descending glass assembly:

- Attach the branching piece ⑤ to the opening at the bottom of the Y-connection with a DN40 EasyClamp connection.
- Insert the shut-off tap ⑥ into the branching piece ⑤ and tighten it firmly.
- Bring the support up and fix the receiving flask ④ in position on the branching piece ⑤ using a DN25 EasyClamp connection.

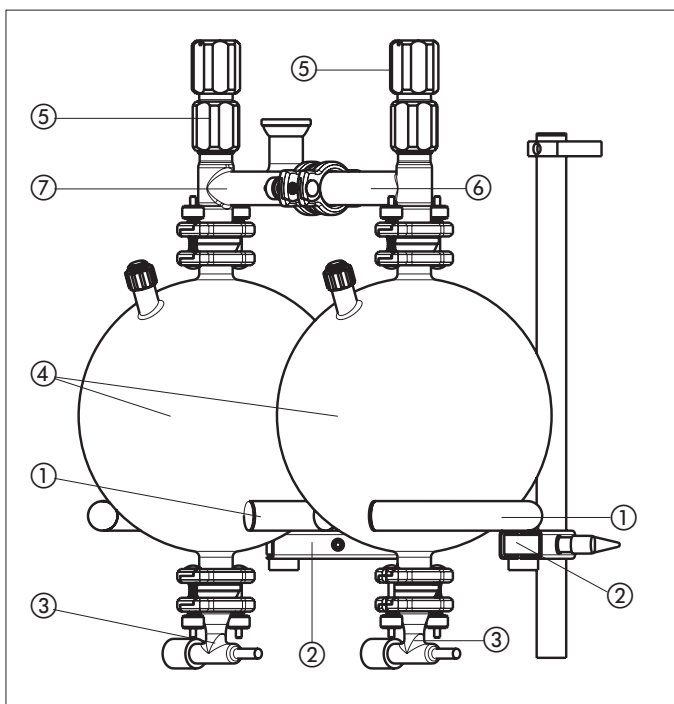


Fig. 4.11: Interchangeable receiver

Dual Receiver

- Fasten the support rings ① to the support rods at the front and back using pivoting clamps ②.
- Screw the outlet valves ③ firmly onto the receiving flask ④ using DN25 EasyClamp connections.
- Place the receiving flasks ④ on the support rings ①.
- Screw the two shut-off taps ⑤ into the branching pieces ⑥ and ⑦ and tighten them.
- Connect the branching pieces with a DN25 EasyClamp connection. Place them on the receiving flasks ④, and fasten them with DN25 EasyClamp connections.

With a reflux glass assembly:

- Bring the receiving flask up, and fasten the branching piece ⑦ to the condensate cooler using a DN25 EasyClamp connection.

With a descending glass assembly:

- Bring the receiving flask up, and fasten the branching piece ⑦ to the Y-connection using a DN25 EasyClamp connection.

4.11 Attaching and Removing Flasks

Bring up the flask

- With the snap flange coupling open, lay the flask in position.
- Close the first segment of the snap flange coupling (The hook must latch in).



Fig. 4.12: Snap flange coupling, with flask laid in place



Fig. 4.13: Closing the snap flange coupling

- Close the second segment of the snap flange coupling.
- Insert the closure hook and press down the closure lever. A clear resistance must be felt when this is done. If not, readjust the tension on the closure.



Fig. 4.14: Adjusting the tension on the closure

Adjusting the tension on the closure:
Open the closure hook up, and turn it.

Turning clockwise increases pressure
Turning counterclockwise reduces pressure

If the flange of the evaporating flask is outside of a certain tolerance, the adjustment with the hook is not possible. This evaporating flask must not be used!



Fig. 4.15: Opening the closure

Removing flasks

- Place your hand under the flask to hold it from below.
- Open the closure lever ①.
- Use your thumb to release the closure hook ②.
- Flip up the first segment of the snap flange coupling.

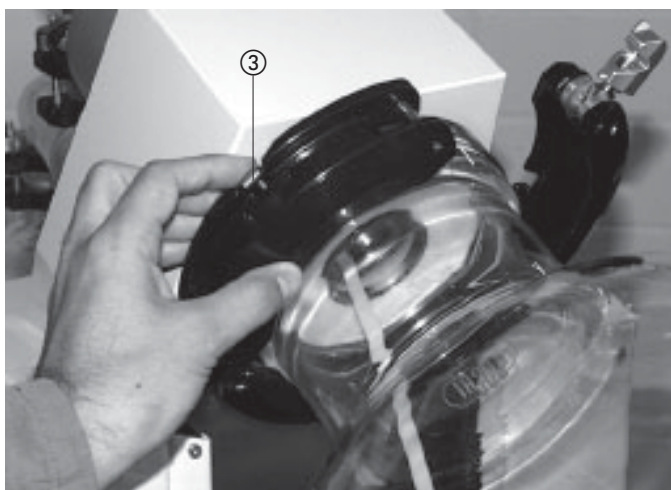


Fig. 4.16: 2. Opening the second segment

- With your hand under the flask, lift it lightly slightly from below and relieve pressure on it.
- Press the hook ③ in.
- Open the second segment of the snap flange coupling.
- Lift the flask out at the top and remove it.

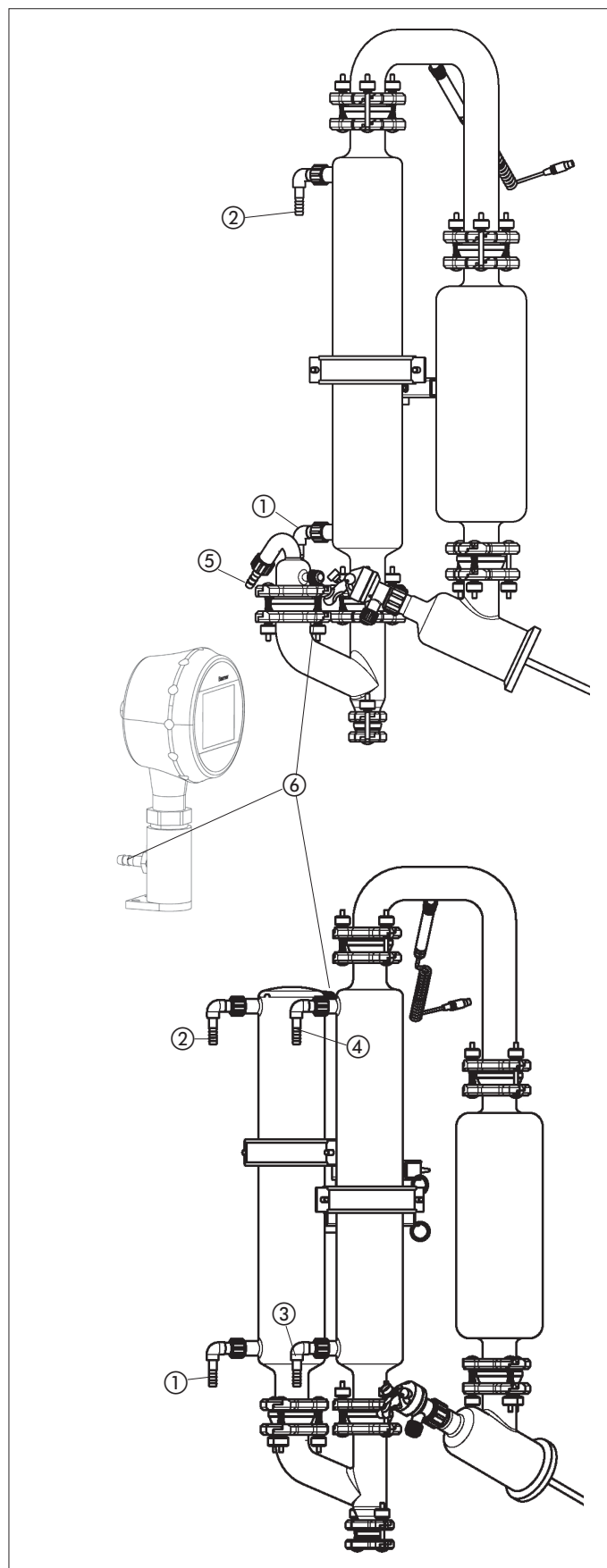


Fig. 4.17: Hose Couplings 1

4.12 Hose Couplings

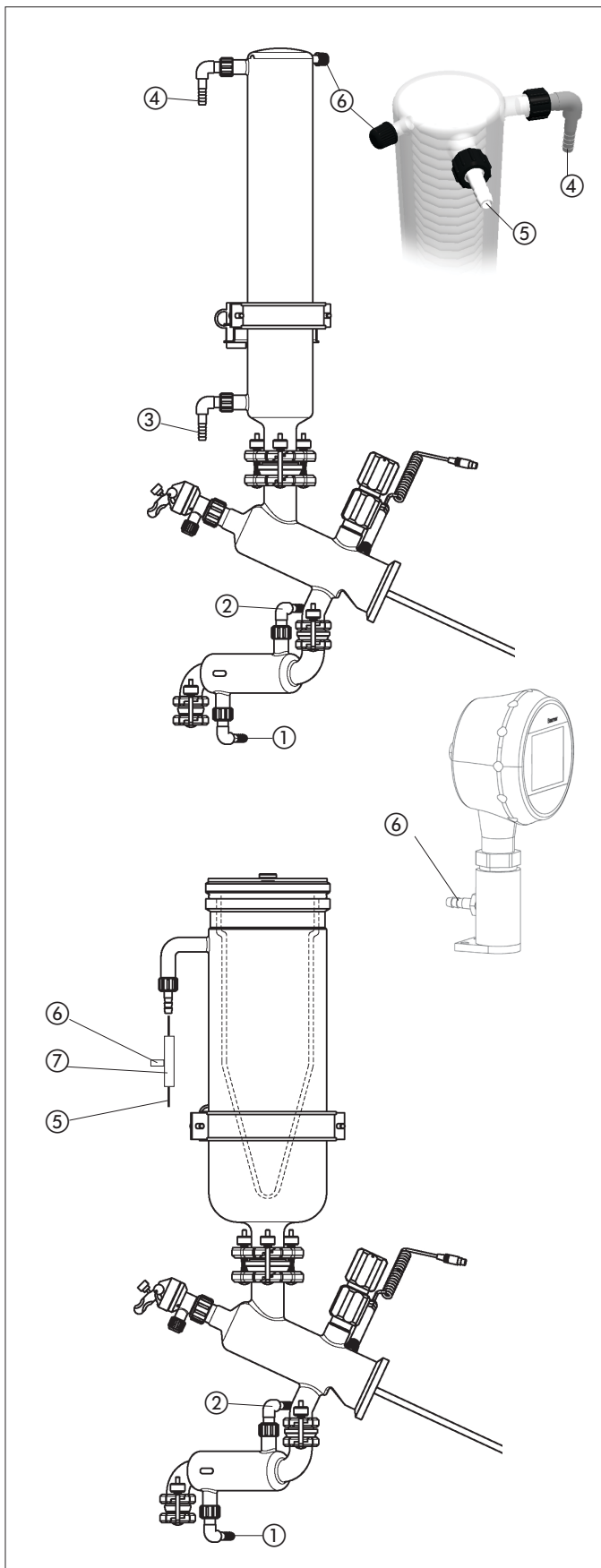
In general, observe the following items for all glass assemblies.

The cooling water inlet is always at the lower condenser connection.

When there are two condensers (D2 und DB2), the two condensers can be connected serially, the additional condenser being cooled first.

The following is the key for all of the hose diagrams on these two pages.

- ① Cooling water inlet for first condenser
- ② Cooling water outlet for first condenser
- ③ Cooling water inlet for second condenser
- ④ Cooling water outlet for second condenser
- ⑤ Vacuum cover
- ⑥ Vacuum controller
- ⑦ T-piece (026117)



The following is the key for all of the hose diagrams on these two pages.

- ① Cooling water inlet for first condenser
- ② Cooling water outlet for first condenser
- ③ Cooling water inlet for second condenser
- ④ Cooling water outlet for second condenser
- ⑤ Vacuum cover
- ⑥ Vacuum controller
- ⑦ T-piece (026117)

Fig. 4.18: Hose Couplings 2

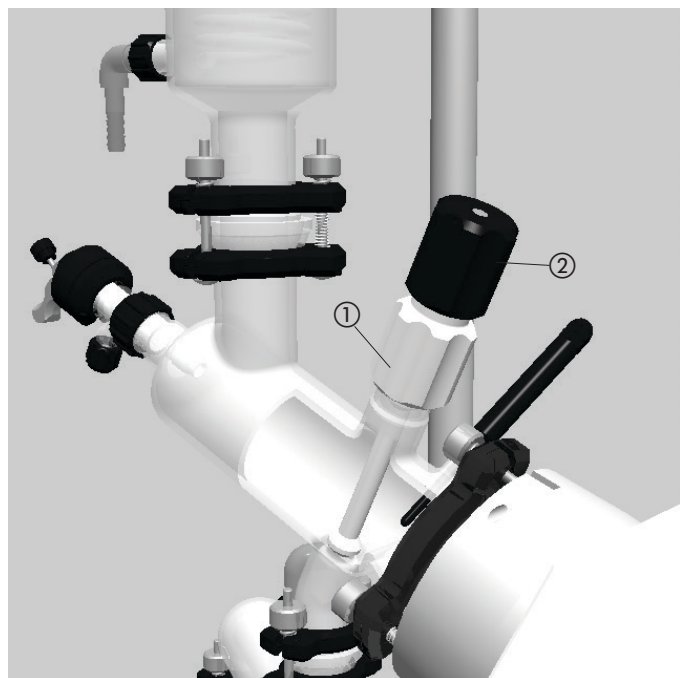


Fig. 4.19: Shut-off tap

4.13 Operating the Shut-off tap

The shut-off tap is of a special design. It does not have a continuous thread on its inside for tightening it, but rather a sliding plane with two fixed latching positions. The closing pressure when it is in a closed position is provided by a prestressed spring.

- Insert the shut-off tap on the distribution head and turn the white lower section of the grip ① clockwise until the shut-off tap is tightly seated.
- To open: Turn the gray upper section of the grip ② clockwise until the shut-off tap latches into the 1st position. If the opening is not large enough, continue turning until the shut-off tap reaches the 2nd position.

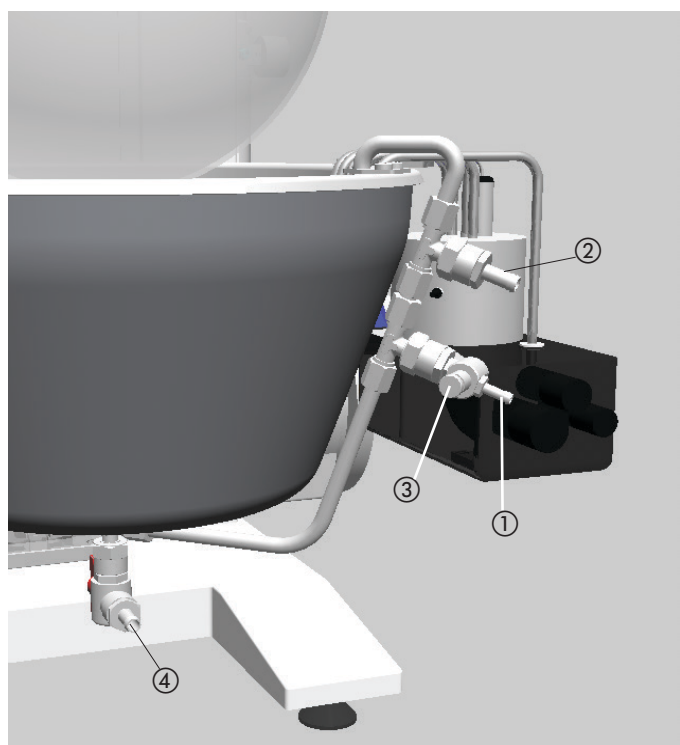


Fig. 4.20: Bath replenishment

4.14 Bath replenishment (optional)

- ① Bath replenishment inlet
Hose nipple, Ø 9 mm
- ② Bath replenishment outlet
Hose nipple, Ø 12.5 mm
- ④ Bath discharge valve
Hose nipple, Ø 12.5 mm

Opening the needle valve ③ slightly by one-quarter turn produces a continuous supply flow.



If oil is used as heating medium, the bath replenishment has to be emptied and disconnected from the water inlet.

Otherwise, there is a risk of water pouring into the hot oil bath.

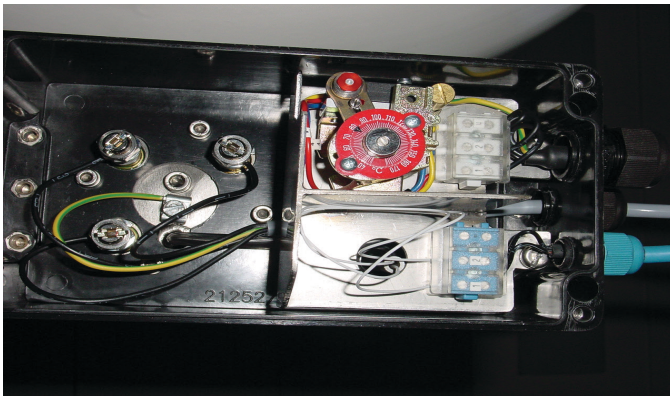


Fig. 4.21: Safety temperature cutout in the heater terminal box

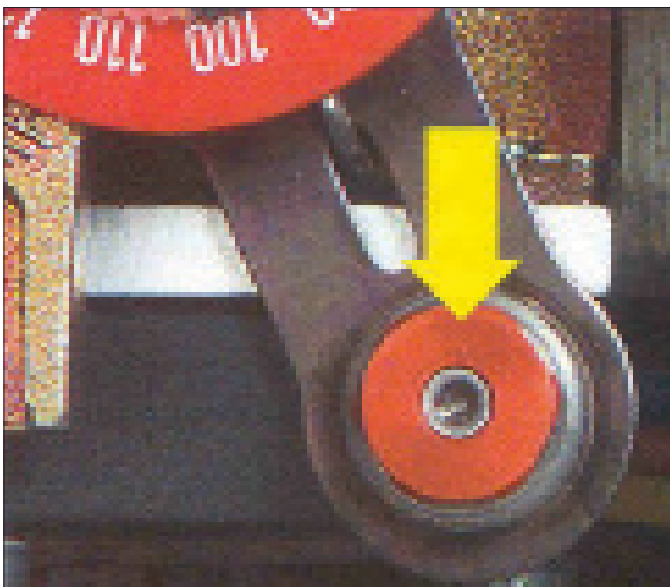


Fig. 4.22: Resetting the safety temperature cutout

4.15 Reset of the over-temperature protection

The rated cut-out temperature of the over-temperature cut-out is defined by temperature class T3 and T4. The safety temperature cutout is fitted with a microswitch with a flameproof enclosure, which is in the “increased safety” terminal box of the heater.

The system is based on a liquid-filled capillary tube with a bellows fitting.

Standard EN 50019 stipulates that the safety temperature limiter may only be reset using a tool (opening the terminal box) and then by hand. Automatic resetting is not possible. The temperature cutout cannot be reset until the temperature falls below the rated cut-out temperature.



4.16 Heating Medium

Never operate the heating bath when there is no heating medium in it!

Suitable heating media include:

- Water (some Borax should be added when using deionized water)
- Heat transfer oils suitable for use at temperatures up to 160° C (e.g., Ucon HTF 14, Fluka AG).
- Water-soluble polyethylene glycol (e.g., Polyethylene glycol 600, Fluka AG).



After the oil bath has been standing opened for a prolonged period, condensation water can collect on the bottom. When the bath is used again, it must be heated above 100°C with rotating flask in order to drive the water out.

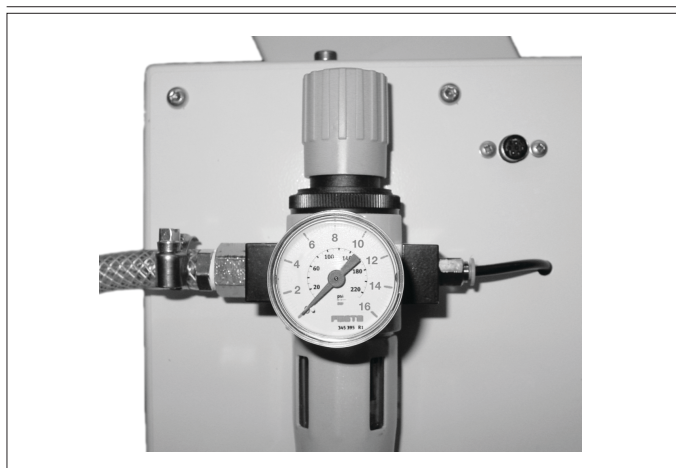


Fig. 4.23: Reset the safety temperature limiter

4.17 Compressed Air Connection

The maximum permissible pressure is 8 bar. Make sure that the compressed air is oil-free. The pressure hose must be secured with the provided pivoting hose clamp.

Pressure is limited to 4 bar at the works. Increasing pressure will not increase performance; rather, it causes greater air consumption and thus results in more noise.

4.18 Vacuum Controller

The Vacuum Controller is delivered with the R-220 EX and is already installed.

Connect the individual connections as shown here.

- ① Vacuum connection to pump
- ② Vacuum connection: valve – glass assembly (see pages 18 and 19)
- ③ Vacuum connection: controller – glass assembly (see pages 18 and 19)

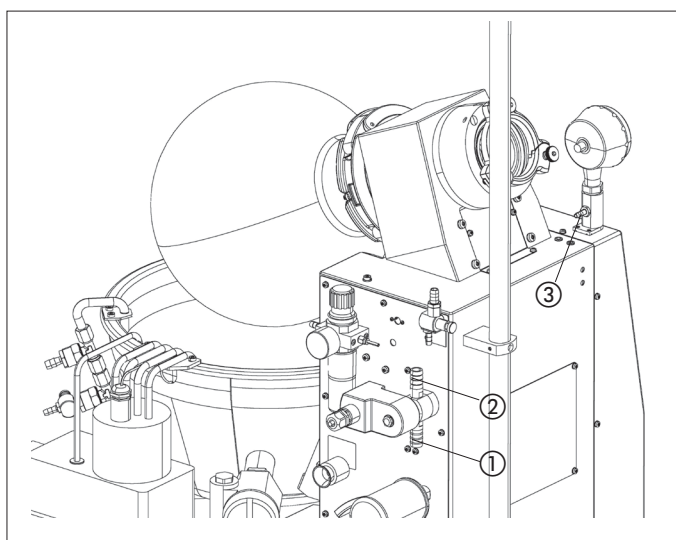


Fig. 4.24: Valve and manometer connections

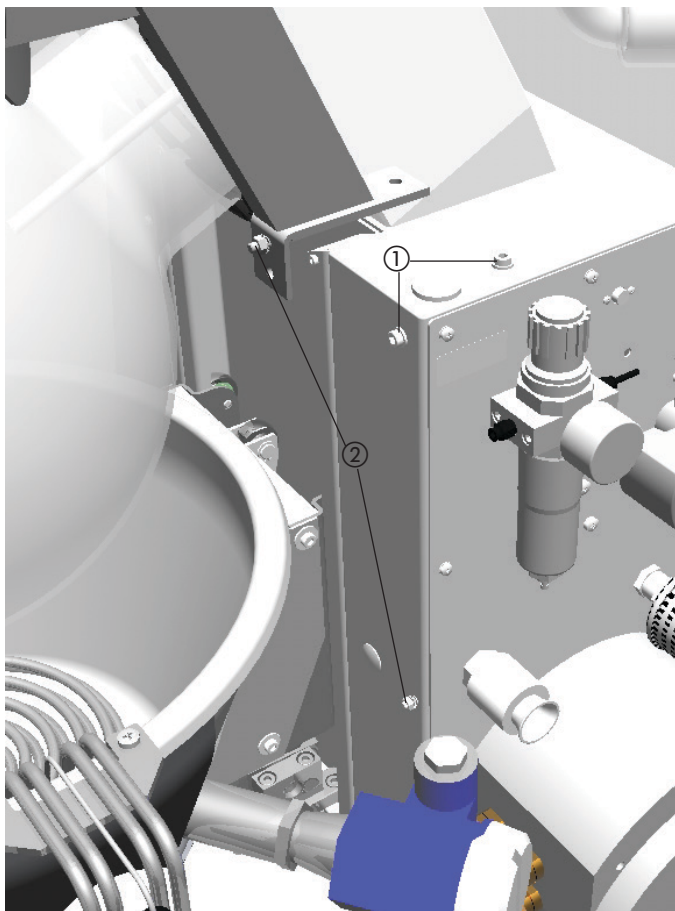


Fig. 4.25: Installing the splash protector

4.19 Splash Protector

The optionally available splash protector can be easily securely fastened to the housing using two bolts ①.

The equipotential is assured using the supplied grounding cable. In addition, the two bolts ② must be connected to the cable.

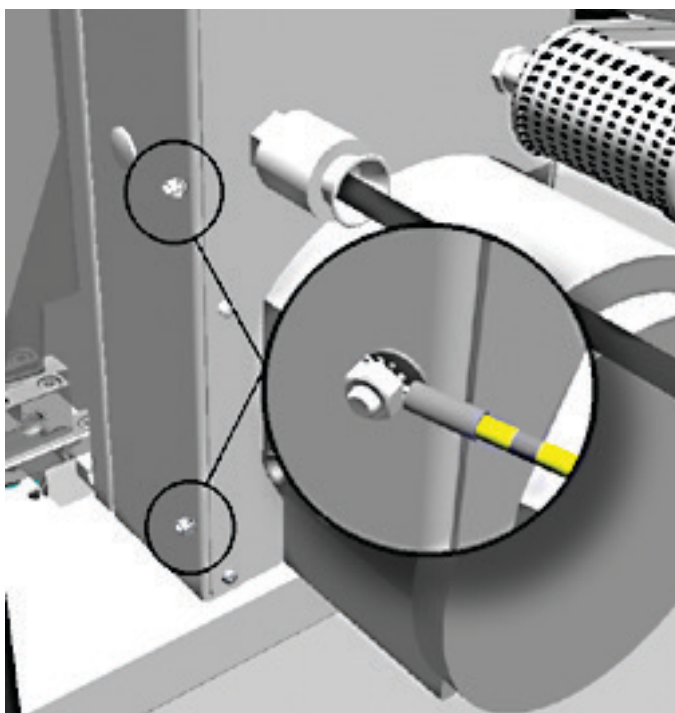


Fig. 4.26: Checking Installation

4.20 Checking Installation

After installation has been completed and before doing the first distillation, check to make sure the installation has been carried out correctly:

- Inspect the glass visually for possible damage.
- Check that all connections (steam, water, vacuum) have been fixed properly in position.
- Check the tightness of the vacuum (see 6.10).

5 Operation

Make certain that the unit has been commissioned properly as described in Chapter 4.

5.1 Layout of the Operating and Display Elements



Fig. 5.1: Operating and Display Elements

- ① Main switch
- ② Bath lift
- ③ Rotation on
- ④ Rotation off
- ⑤ Rotation speed setting
- ⑥ Heating on/off
- ⑦ Setpoint bath temperature input
- ⑧ Bath temperature display
- ⑨ Variable display
 - Setpoint bath temperature
 - Vapour temperature
 - Heating
 - Error
- ⑩ Indication lamps
 - Vapour temperature
 - Heat output
 - Heating
 - Error

The bath is lowered automatically when the unit is switched off or in case of a power failure to ensure that the evaporating flask will in all cases remain outside the source of heat (optional).

Rotation

The rotation is provided with a „soft start“ function. The flask rotates at a very low speed for approx. 5 seconds and then increases its speed to the set value. The „Rotation ON“ button ③ must remain depressed during this time.

The speed can be set to a value between 0 and 100 revolutions (⑤).

Bath lift

The bath lift is provided with an upper and a lower stop and thus cannot travel too far up or down.

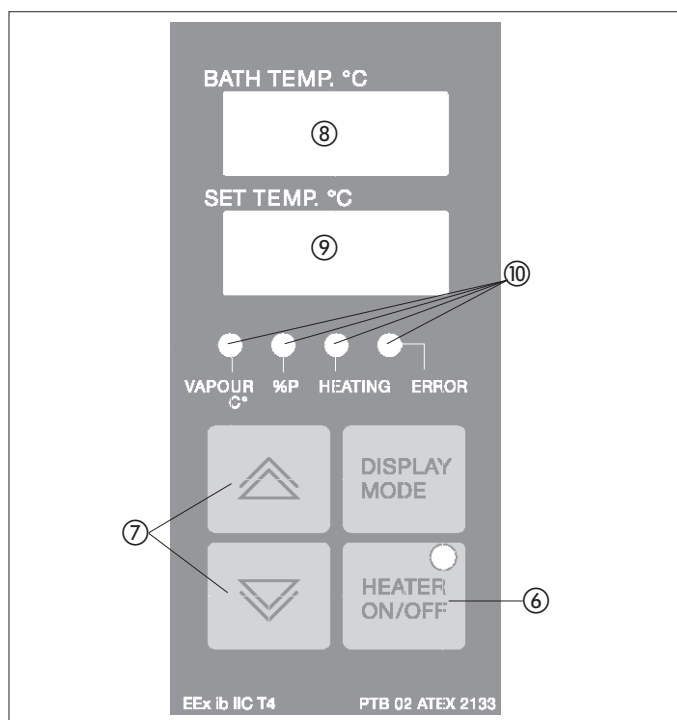


Fig. 5.2: Control Unit

Display

The upper display always indicates the current bath temperature. The lower display provides other information, depending on what is selected. In the default state, the setpoint bath temperature is displayed. The display cannot be changed unless the heating is turned on.

Pressing „**DISPLAY MODE**“ once changes the display to „Heat output“ (<%P> LED illuminates) for 10 seconds. This figure is the clock frequency of the heating.

Pressing „**DISPLAY MODE**“ twice displays the vapour temperature (<VAPOUR °C> LED blinks). After 10 seconds the display returns to the default state (setpoint bath temperature).

The LED on the „**HEATER ON/OFF**“ key illuminates when the heating process is started.

If there is an error, the <ERROR> LED illuminates and a corresponding code is provided in the upper display (P184 appears if the vapour temperature sensor is not connected).

5.2 Setting the Parameters

Bath temperature

The setpoint for the bath temperature can be changed at any time using the „UP“ and „DOWN“ arrows on the Control Unit.

Pressing the „HEATER ON/OFF“ key activates the heater. This is indicated with an LED in the keypad.

The heating is clocked in order to guarantee precise heat regulation. This means that the heating is controlled in ever smaller clock-pulse rates the closer the actual temperature of the bath comes to the setpoint temperature. The heat output can be displayed in percent by changing the display to <%P>.

The <HEATING> LED also controls the heat output. It only illuminates when the heater is triggered and thus the bath is being heated.



Make sure that the selected temperature is within the permissible max. temperature (135°C for T4 and 150°C for T3)

5.3 Vacuum Controller

Operation

The vacuum controller is operated by its touch screen. To control the vacuum in the Rotavapor® you need to set two values. The lower vacuum level (Relay 1 set point) is the ultimate vacuum that has to be reached. When reaching the upper vacuum level (Relay 1 reset point) the vacuum valve opens again. In between these two levels the vacuum in the system is being controlled.



Fig. 5.3: Vacuum Controller

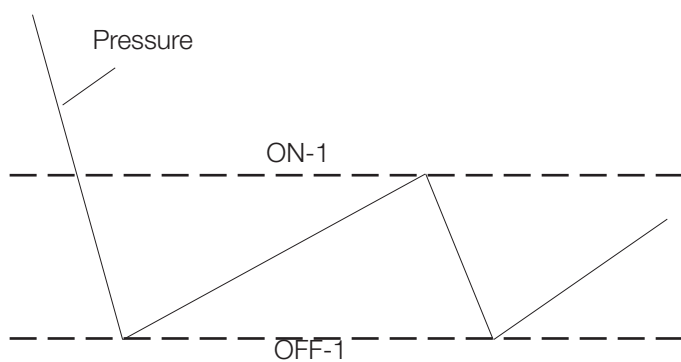


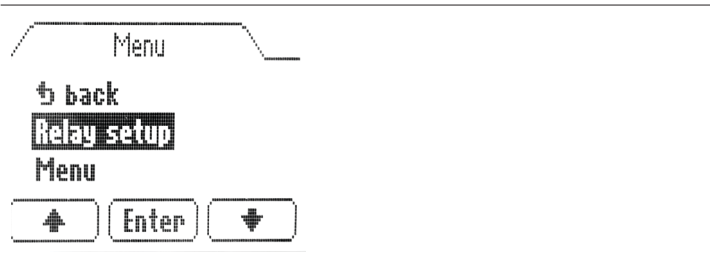
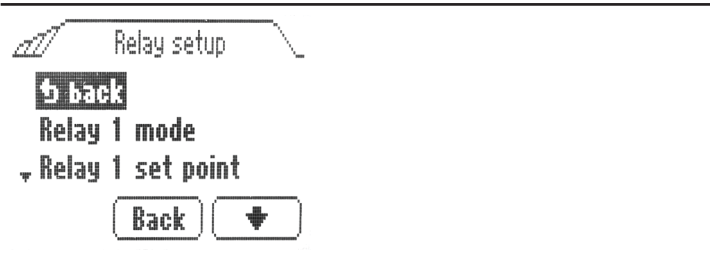
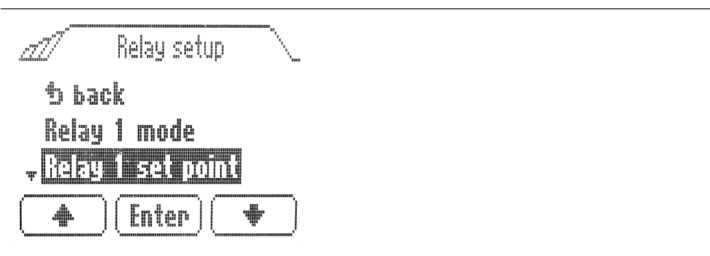
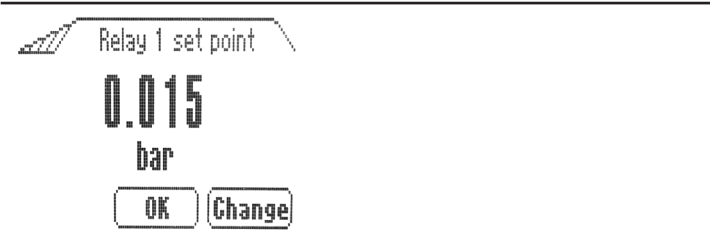


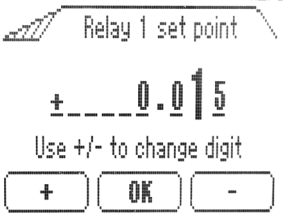
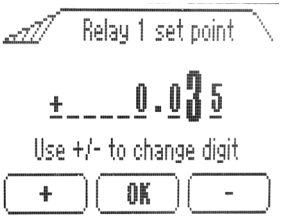






Fig. 5.4: Setpoints

Setting options	
	<p>The display shows the actual pressure in the system.</p> <p>1. Touch the screen to access the menu.</p>
	<p>2. Press "Menu" to enter the settings.</p>
	<p>3. Select "Relay setup" by pressing the arrow buttons and press "Enter" to open the setting menu.</p>
	<p>4. Select "Relay 1 set point" to set the value of the pressure at which the vacuum valve will close.</p>
	<p>5. Press "Enter" to confirm.</p>
	<p>The actual vacuum setting is being displayed.</p> <p>6. Press "Change" to set another vacuum.</p>
	<p>7. Move to the desired digit by pressing the arrow buttons.</p>

 <p>Relay 1 set point</p> <p>X + 0.015 ✓</p> <p>Select digit to change</p> <p>Change</p>	8. Press "Change" to set a new value.
 <p>Relay 1 set point</p> <p>+ 0.015</p> <p>Use +/- to change digit</p> <p>+ OK -</p>	9. Press "+" or "-" to change the value.
 <p>Relay 1 set point</p> <p>+ 0.035</p> <p>Use +/- to change digit</p> <p>+ OK -</p>	10. Press "OK" to save the entry.
 <p>Relay 1 set point</p> <p>X + 0.035 ✓</p> <p>Select digit to change</p> <p>Save</p>	11. Select the check mark by pressing the arrow buttons. 12. Press "Save" to save the entries and exit.
 <p>Relay setup</p> <p>Relay 1 mode</p> <p>Relay 1 set point</p> <p>Relay 1 reset point</p> <p>Enter</p>	13. Select "Relay 1 reset point" by pressing the arrow buttons to set the value for the upper pressure limit at which the vacuum valve will open again.
 <p>Relay 1 reset point</p> <p>0.099 bar</p> <p>OK Change</p>	14. The actual vacuum setting is being displayed. 15. To change that value, press "Change".
 <p>Relay 1 reset point</p> <p>X + 0.099 ✓</p> <p>Select digit to change</p> <p>Change</p>	16. Select the desired digit by pressing the arrow buttons.


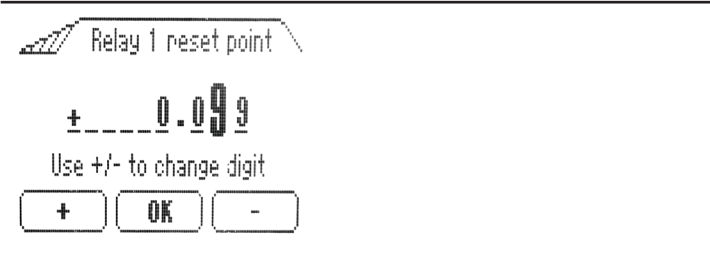

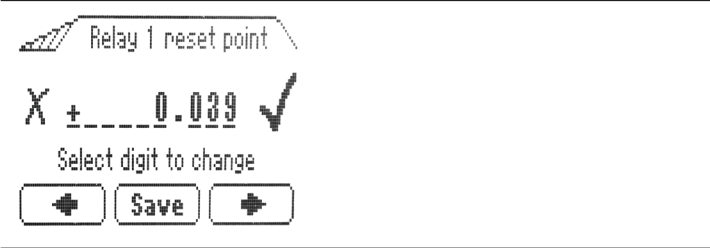

	<p>17. Press "Change" to change the value.</p>
	<p>18. Press "+" or "-" to change the value.</p>
	<p>19. Press "OK" to save the entry.</p>
	<p>20. Select the check mark by pressing the arrow buttons. 21. Save the vacuum setting by pressing "Save".</p>
	<p>22. After 10 seconds of inactivity the display reverts to the standard screen and displays the actual pressure in the system.</p>



Fig. 5.5: Splash protector

5.4 Splash Protector

The splash protector folds back on the side lever. It is fitted with a rear and a front stop.

5.5 Tips and Tricks

5.5.1 Selection of the Distillation Temperature

In order to attain optimum distillation conditions, the energy supplied to the distillation from the bath must be dissipated again across the cooler. In order to ensure this, it is best to work according to the following rule of thumb:

Cooling water	ΔT_2	Boiling temperature	ΔT_1	Bath
max. 20 °C		40 °C		60 °C

How do you attain these conditions?

- Set the bath temperature at 60 °C.
- Adjust the cooling water. Its temperature should not be higher than 20 °C.
- Allow the cooling water to flow through the cooler at a rate of about 120–150 liters/hr.
- Select the working vacuum so that the boiling point of the solvent is at 40 °C.
- Obtain the corresponding value for the vacuum from the Table of solvents.

Advantages of a Bath Temperature of 60 °C

- Evaporating flasks can be changed without any danger of scalding.
- The rate of water evaporation out of the heating bath is not yet very high.
- The energy in the heating bath is being utilized very efficiently.

The solvent should condense out in approx. 2/3 to 3/4 of the lengths of the cooling coils present.

If it is not possible to work at a bath temperature of 60°C to ensure gentle treatment of the product, adapt the parameters correspondingly.

e.g.

Cooling water	ΔT_2	Boiling temperature	ΔT_1	Bath
max. 10 °C		30 °C		50 °C

5.5.2 Selecting the speed

In general, it can be said that distillation performance increases as speed increases. The only exceptions to this are products that have high viscosity and that would therefore adhere to the flask wall, or products that foam excessively. Reduce the speed in these cases.

5.5.3 General instructions for optimum distillation

Distillation performance can be maximized by increasing the temperature differences, e.g., 10°C cooling, 40°C vapor temperature, and 70°C bath temperature.

The condenser should not be used at more than 3/4 capacity in order to avoid solvent loss (aspiration through the pump)

By using a glass assembly with two condensers (D2 or DB2), solvent loss can be reduced even more without a resultant decrease in distillation performance. The second condenser can be condensed with a separate condensing circuit for this purpose.

Make sure that the vacuum is not too low. Otherwise there is the danger that the condensed solvent will begin to boil in the receiving flask and thus will be aspirated (e.g., acetone boils in a vacuum of 15 mbar at just 10°C)

5.6 Table of Solvents

Solvent	Formula	Molar Mass in g/mol	Evaporation Energy in J/g at 1013 mbar	Boiling Point	Spec.Gravity in g/cm³	Vacuum in mbar for a Boiling Point at 40°C
Acetic acid	C ₂ H ₄ O ₂	60.0	695	118	1.049	44
Acetone	C ₃ H ₆ O	58.1	553	56	0.790	556
<i>n</i> -Amyl alcohol, <i>n</i> -Pentanol	C ₅ H ₁₂ O	88.1	595	137	0.814	11
Benzene	C ₆ H ₆	78.1	548	80	0.877	236
<i>n</i> -Butanol, tert. Butanol	C ₄ H ₁₀ O	74.1	620	118	0.810	25
(2-Methyl-2-Propanol)	C ₄ H ₁₀ O	74.1	590	82	0.789	130
Carbon tetrachloride	CCl ₄	153.8	226	77	1.594	271
Chlorobenzene	C ₆ H ₅ Cl	112.6	377	132	1.106	36
Chloroform	CHCl ₃	119.4	264	62	1.483	474
Cyclohexane	C ₆ H ₁₂	84.0	389	81	0.779	235
Diethyl ether	C ₄ H ₁₀ O	74.0	389	35	0.714	850
1,2,-Dichlorethane	C ₂ H ₄ Cl ₂	99.0	335	84	1.235	210
<i>cis</i> -1,2,-Dichlorethylene	C ₂ H ₂ Cl ₂	97.0	322	60	1.284	479
<i>trans</i> -1,2,-Dichlorethylene	C ₂ H ₂ Cl ₂	97.0	314	48	1.257	751
Diisopropyl ether	C ₆ H ₁₄ O	102.0	318	68	0.724	375
Dioxane	C ₄ H ₈ O ₂	88.1	406	101	1.034	107
DMF (Dimethylformamide)	C ₃ H ₇ NO	73.1		153	0.949	11
Ethanol	C ₂ H ₆ O	46.0	879	79	0.789	175
Ethyl acetate	C ₄ H ₈ O ₂	88.1	394	77	0.900	240
Heptane	C ₇ H ₁₆	100.2	373	98	0.684	120
Hexane	C ₆ H ₁₄	86.2	368	69	0.660	335
Isoamyl alcohol, 3-Methyl-1-butanol	C ₅ H ₁₂ O	88.1	595	129	0.809	14
Isopropyl alcohol	C ₃ H ₈ O	60.1	699	82	0.786	137
Methanol	CH ₄ O	32.0	1227	65	0.791	337
Methylene chloride, Dichloromethane	CH ₂ Cl ₂	84.9	373	40	1.327	850
Methylethylketon	C ₄ H ₈ O	72.1	473	80	0.805	243
Pentachlorethane	C ₂ HCl ₅	202.3	201	162	1.680	13
Pentane	C ₅ H ₁₂	72.1	381	36	0.626	850
<i>n</i> -Propyl alcohol	C ₃ H ₈ O	60.1	787	97	0.804	67
1,1,2,2,-Tetrachloroethane	C ₂ H ₂ Cl ₄	167.9	247	146	1.595	35
Tetrachloroethylene	C ₂ Cl ₄	165.8	234	121	1.623	53
THF (Tetrahydrofurane)	C ₄ H ₈ O	72.1		67	0.889	357
Toluol	C ₇ H ₈	92.2	427	111	0.867	77
1,1,1,-Trichlorethane	C ₂ H ₃ Cl ₃	133.4	251	74	1.339	300
Trichlorethylene	C ₂ HCl ₃	131.3	264	87	1.464	183
Water	H ₂ O	18.0	2261	100	1.000	72
Xylol (Mixture)	C ₈ H ₁₀	106.2	389			25
(o)				144	0.880	
(m)				139	0.864	
(p)				138	0.861	

Table 5.1: Table of Solvents (CRC Handbook, 65th Ed)

6 Maintenance

Please note all rules aimed at keeping the rotary evaporator in a functional condition. These also include periodic cleaning and inspection for any damage that might have occurred.



Make certain that the supply of water, compressed air, and power to the unit has been interrupted before doing any maintenance work on the unit. Always support the bath from below, on the underside of the bath whenever doing any repair work.

6.1 Troubleshooting

Fault	Possible cause	Remedy
Bath cannot be lifted	Pressure too low	Increase pressure (min. 4 bar, max. 8 bar)
	Leaks in connections	Contact service department
	Bath lift defective	Contact service department
	Power supply off	Connect
Heating does not operate	Safety temperature cutout has been activated	Reset safety temperature cutout (see Chapter 4.15)
	Level sensor is activated	Fill bath with heating medium
	PT-1000 defective (no display)	Contact service department
	Heater coils defective	Contact service department
Rotation does not function	Pressure too low	Increase pressure (min. 4 bar, max. 8 bar)
	Rotary drive defective	Contact service department
	Power supply off	Connect
Operator's panel only displays dashes	Connection to intrinsically safe operator's panel interrupted	Contact service department

Table 6.1: Troubleshooting

6.2 Taking Apart the Snap Flange Coupling



Fig. 6.1: Snap flange coupling, closed

- Close the two segments of the snap flange coupling.
- Turn the snap flange coupling by 180°, until the closure faces down.
- Have Tool No. 20075 ready at hand.
- Reopen the closure.
- Lift the 1st segment of the snap flange coupling to open it.
- Lift the 2nd segment of the snap flange coupling to open it.
- With three fingers at the tip, reach under the middle segment and raise it up.
- Insert Tool No. 20075 in at the side, between the lugs on the positional lock. Turn lightly until the pin becomes unlatched. Take the snap flange coupling assembly off.
- Clean the snap flange coupling.



Fig. 6.2: Assembling the snap flange coupling

6.3 Assembling the Snap Flange Coupling

- Insert the snap flange coupling from above, until the pins in the lock latch into the hole on the lug.
- Close the two segments of the snap flange coupling.
- Turn the snap flange coupling again by 180°, until the closure lies at the top.
- Lift the two segments of the snap flange coupling to open them.
- Lay the neck of the glass flask into the middle segment and raise the flask slightly.
- Pull the segment on the left back slightly and close it until the hook latches in place.
- Close the segment on the right.
- Insert the closure hook and close the snap flange coupling with the closure lever. A clear resistance must be felt when doing this. Otherwise no seal can be fully guaranteed.



Fig. 6.3: Removing the evaporating flask seal

6.4 Removing the Evaporating Flask Seal

- Seal the holder for the seal by 180°, until the opening faces up.
- Take hold of the seal with both hands, from above and from the front, and pull it out slowly.
- Tilt the seal slightly and carefully pull it all the way out. Be careful not to damage the glass centering bulge when doing so.
- Remove the vapor duct.

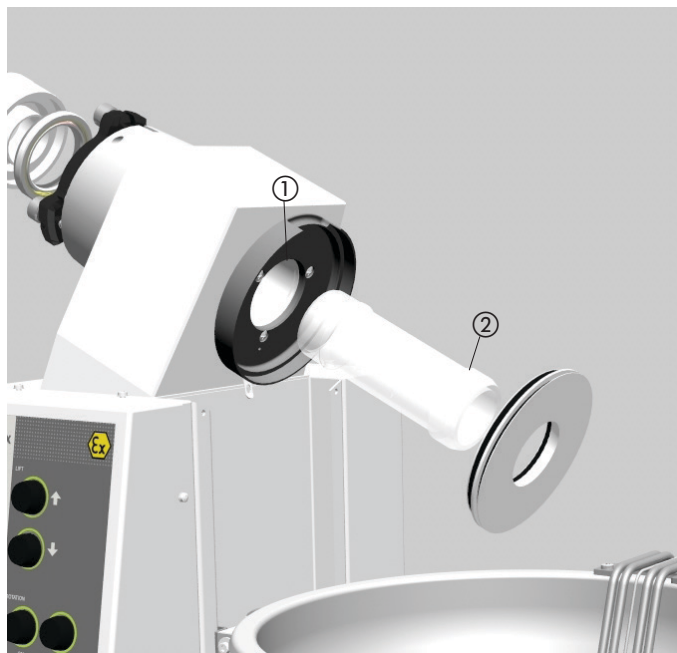


Fig. 6.4: Inserting the evaporating flask seal 1

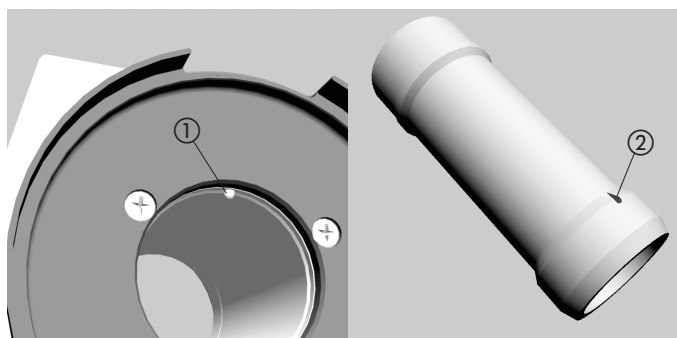


Fig. 6.5: Inserting the evaporating flask seal 2

6.5 Inserting the evaporating flask seal

- Insert the vapor duct.
- Insert the seal. Using gentle pressure, shove it across the lock preventing it from twisting out of position, and then shove it all the way in. Press it with both thumbs until it latches in position.
- The knob ① in the gearhead must come to rest in the notch ② in the vapour duct.

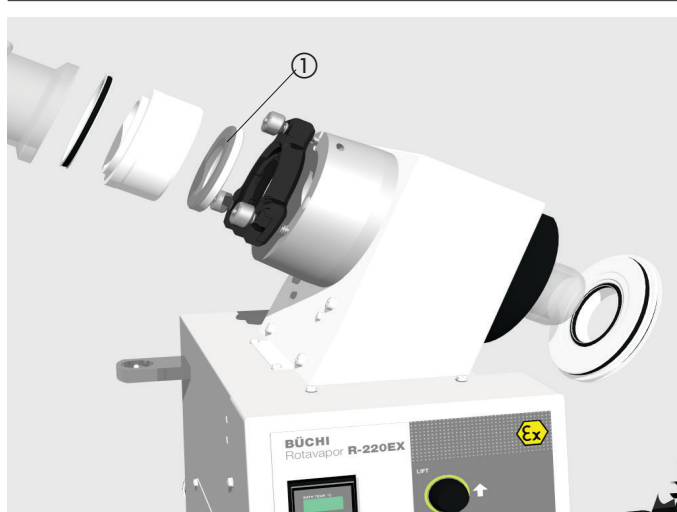


Fig. 6.6: Replacement of the seals for the distribution head

6.6 Replacement of the Seals for the Distribution Head

- Open the DN70 EasyClamp by releasing the knurled nuts on all 3 bolts, but do not screw the nuts completely off.
- Tilt the top bolt out toward the back.
- Open the upper and lower EasyClamp segments and carefully lift the distribution head off the glass assembly.

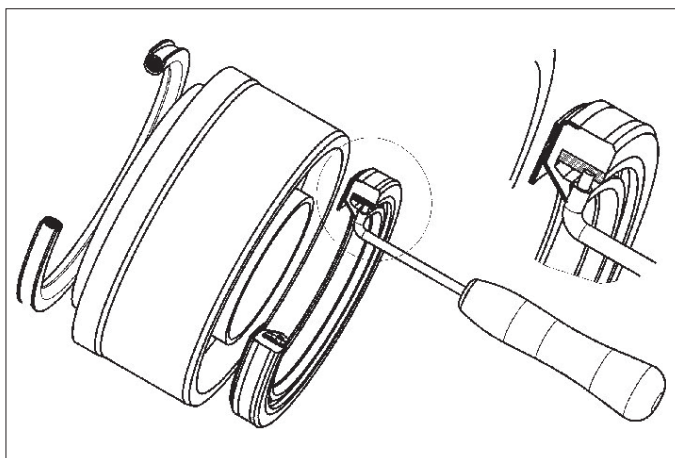


Fig. 6.7: Replacement of the Vacuum Seal 1

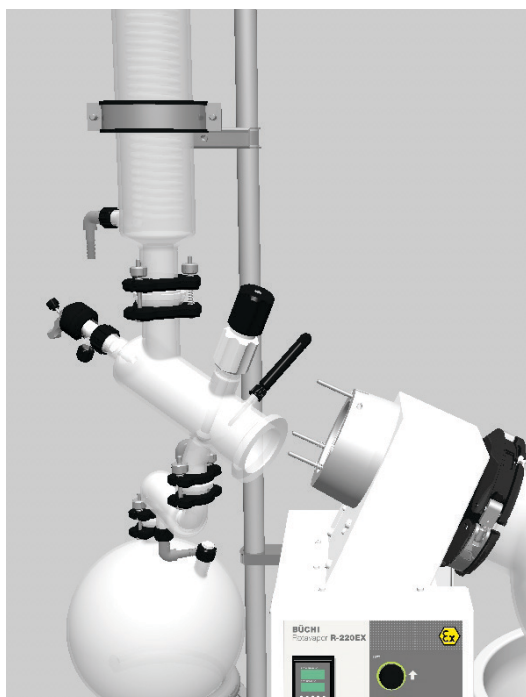


Fig. 6.8: Replacement of the Vacuum Seal 2

- Take out the seal ① laid in at the front and replace it.

6.7 Replacement of the Vacuum Seal

- Remove the DN70 EasyClamp completely and take off the distribution head.
- Pull the cylindrical seal holder out and turn it over.
- Insert Tool No. 20075 into the metal guide on the seal and pull the seal out.
- Put in the new seal with the dark scraper ring facing the inside and the metal guide ring facing outward.
- Insert the cylinder with the seal at the back lying on the in-side.
- Insert the seal at the front.
- Provisionally install the EasyClamp using 2 bolts.
- Set the distribution head of the glass assembly on top of the seal.
- Close the segments of the EasyClamp. Flip the top bolt up and in, and hand-tighten all 3 knurled nuts.

Tip:

When the glass assembly "R" is in place, the vacuum seal can be taken out and/or cleaned without the glass assembly having to be removed.

- Remove the complete DN70 EasyClamp assembly from the distribution head.
- Using a socket wrench, release the fastening for the support rod.
- Carefully turn the glass assembly out around the support rod as an axis.
- Remove the seal.

6.8 Cleaning

Use commercially available cleaning agents to clean the glassware.

Merely wipe the housing off with a damp cloth (without using any organic solvents).

Use a commercially available de-liming agent to dissolve residues of lime in the bath and flush the bath out well.

6.9 Vacuum Seal

The seal should be cleaned whenever necessary, but at least once every six months.

During the intake phase, which lasts approx. 10 hours, the seal will show signs of greater material loss due to wear. This is normal for a PTFE seal.

Cleaning

Before the packet of seals can be removed, the distribution head must be released and screwed off. The complete seal packet can then be taken out and cleaned.

Wipe off the sealing lip using a soft, dry cloth. Clean the running surface on the vapor duct well.



Regular cleaning of the seal will result in a longer service life for it.

6.10 Testing for Leaks

After the rotary evaporator has been completely assembled and before putting it into operation, i.e., while it is clean and dry, check for tightness of the vacuum. To do this, evacuate the unit to below 100 mbar and then close the vacuum line. The rate of pressure rise must not exceed 3 to 5 mbar per 15 minutes.

A greater pressure rise indicates a leak in the vacuum seal. In such a case, recheck all EasyClamp connections and all valves.

6.11 Customer Service

No intervention on or in the unit is permissible except when done by authorized Service personnel. These are individuals with a well-backed technical professional training and knowledge of the dangers that result from a failure to observe the safety precautions required. BUCHI's Customer Service representatives have available to them a Service Manual specific to the unit in question. That manual is issued only to authorized Service personnel.

The addresses of BUCHI's official Customer Service representatives are shown on the back cover of this Operation Manual. Please turn to these representatives should you have any malfunctions, technical questions, or problems in using the unit.

BUCHI's Customer Service Dept. will be ready and happy to offer the following services:

- Spare parts service
- Repair service
- Maintenance service
- Technical consultation.

7 Taking out of Operation



Remove all hazardous materials and clean the unit thoroughly. This prevents any risk that individuals could suffer injuries due to contact with hazardous materials.

In addition, in the case of service or repair, details on the most recently processed substance must be provided. This means that a Material Safety Data Sheet for the product processed must also be provided. This is absolutely necessary to protect our service personnel.

7.1 Storage

Always store the unit and spare parts for it in a clean and dry location.

7.2 Packing / Transport

The original packing has been specially designed for transporting the unit and the glass parts for it. Use only the original packing materials for any further transport.

7.3 Waste Disposal

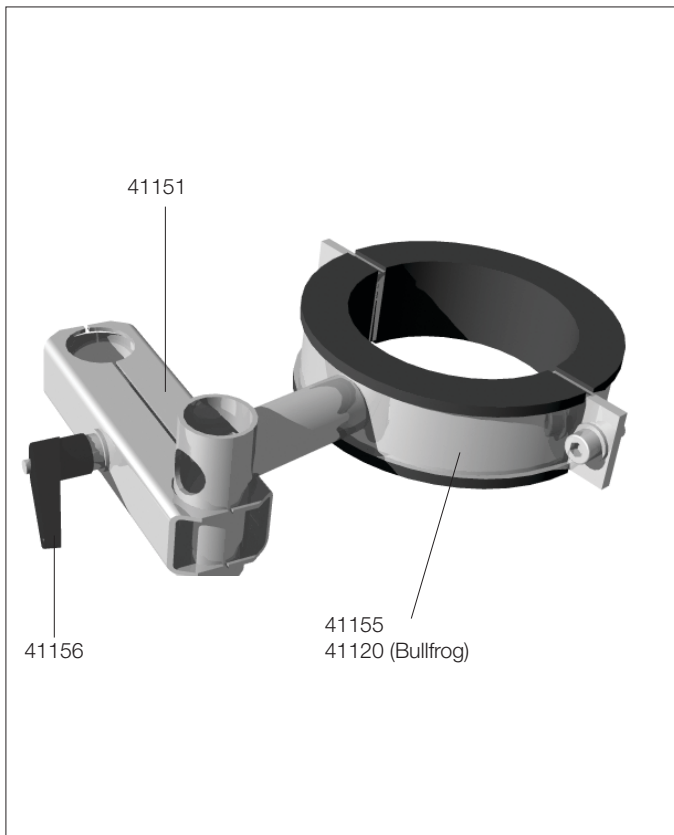
Table 9.2 in the Appendix, Chapter 9, contains a list of the materials, including their material codes, used for the most important components of the unit. This list has been provided in order to enable environmentally correct disposal of the rotary evaporator. It ensures that the parts can be separated and sent for appropriate recycling. Please refer to the pertinent guidelines when disposing of electrical parts. In addition, observe all regional and local laws covering waste disposal.

Used batteries may be returned directly to your BUCHI representative for disposal.

8 Spare Parts and Accessories

Only original BÜCHI accessories and spare parts ensure safe operation and a proper functioning of the unit. The use of spare parts and accessories other than those from BÜCHI is permissible only with prior approval of the manufacturer. The Spare Parts Catalog may be used for purposes of assembly and disassembly only in conjunction with the corresponding Chapters 4 and 7 in this Operation Manual. Disclosure and distribution to third parties, and manufacturing based on this manual are strictly forbidden.

Copyright by BÜCHI Labortechnik AG. All rights reserved.



8.1 Spare Parts: Glass Assemblies D, D2, DB, DB2

Component	Ordering No.
Threaded sleeve Svl 22	03577
Seal Svl 22 Id 17 PTFE	05155
PTFE hose, Outer Diam. 10.0x1.0	27277
Screwed fitting Svl 22	27289
Hose nipple	41436
Temperature sensor B, complete	41076
Glass holder B, complete	41120
EasyClamp, DN25	41130
EasyClamp, DN40	41131
Pivoting clamp, complete	41151
Glass holder, complete	41155
Clamping lever	41156
2 bolts, complete, for EasyClamp DN25	41240
3 bolts, complete, for EasyClamp DN40	41241
Distribution piece "D"	41307
Cooler, 3-coil	41333
Inlet valve, complete	41348
Condenser R	41399
Expansion vessel	41442
Vacuum connector	41443
Condenser, Bullfrog R	41458
U-tube	46512
Y-connection	46513
Y-connection Bullfrog	1105587
U-tube Bullfrog	46515
Condenser Bullfrog D	46516

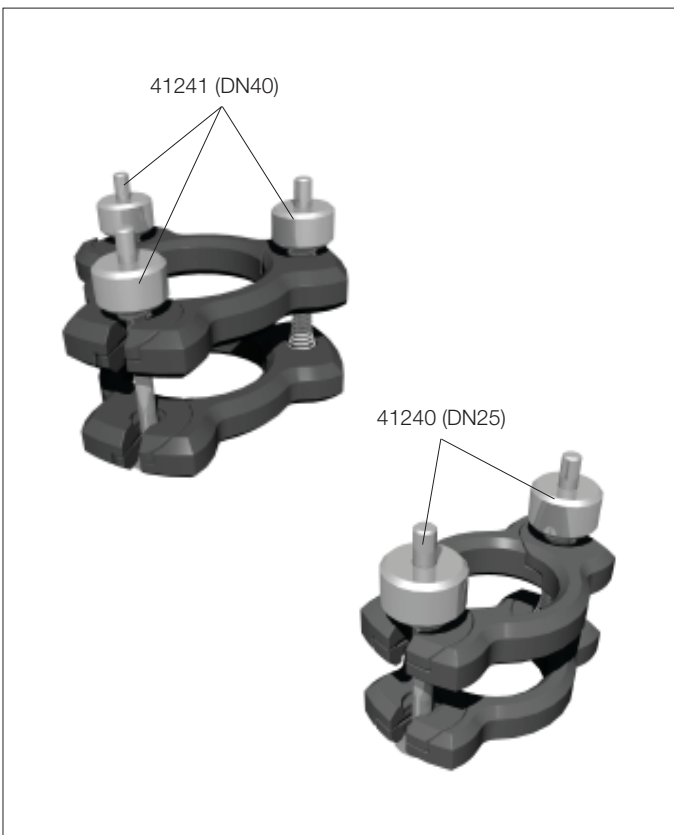


Table 4: Spare parts, Glass Assemblies D, D2, DB, DB2

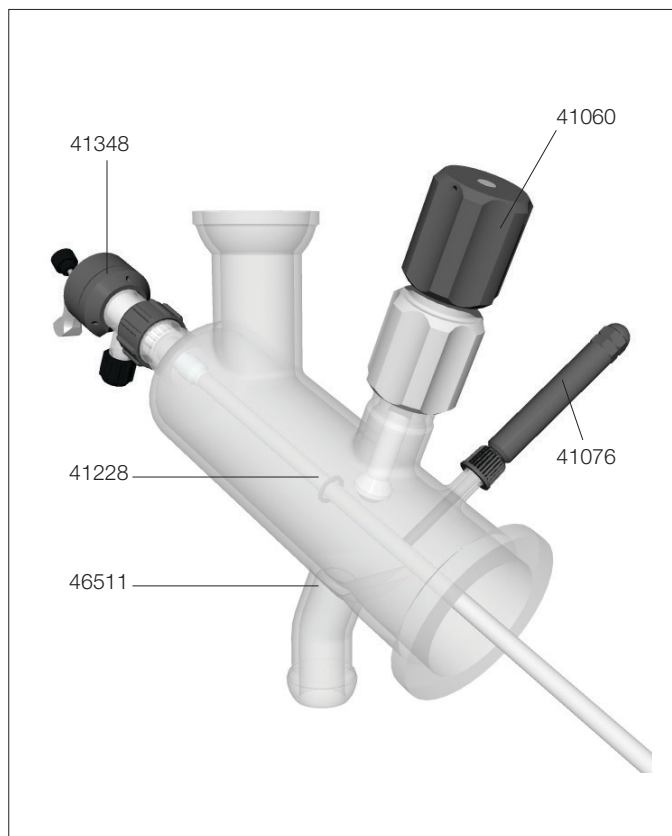
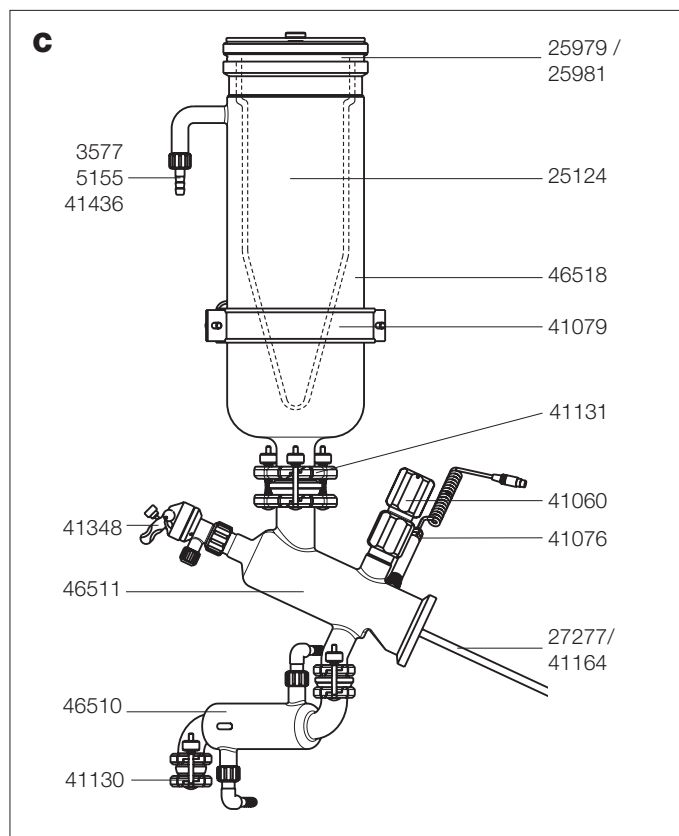
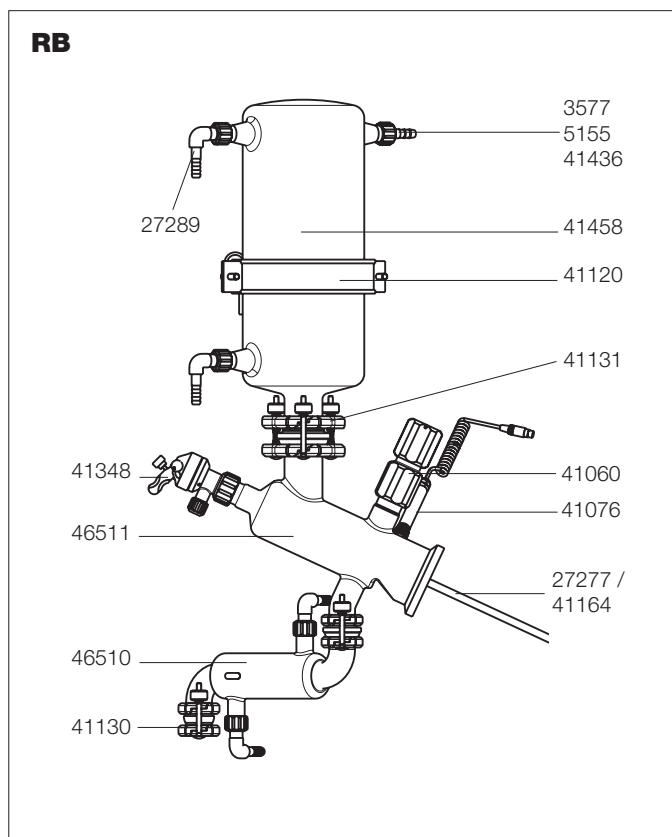
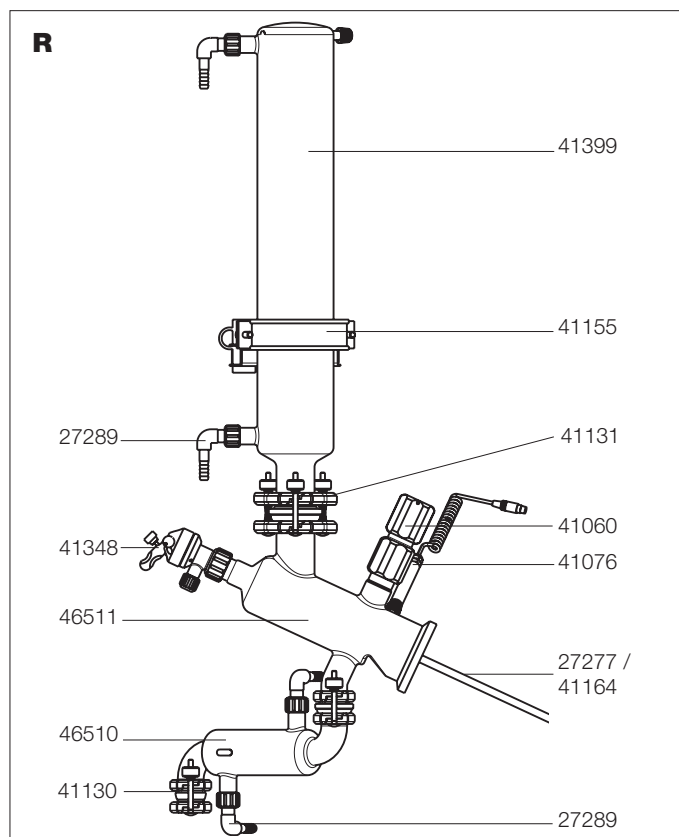
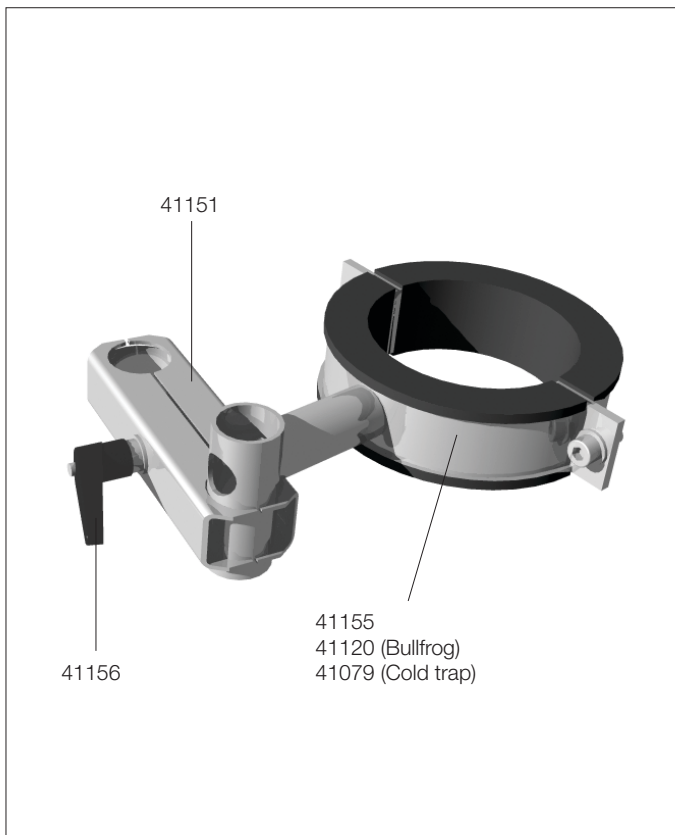


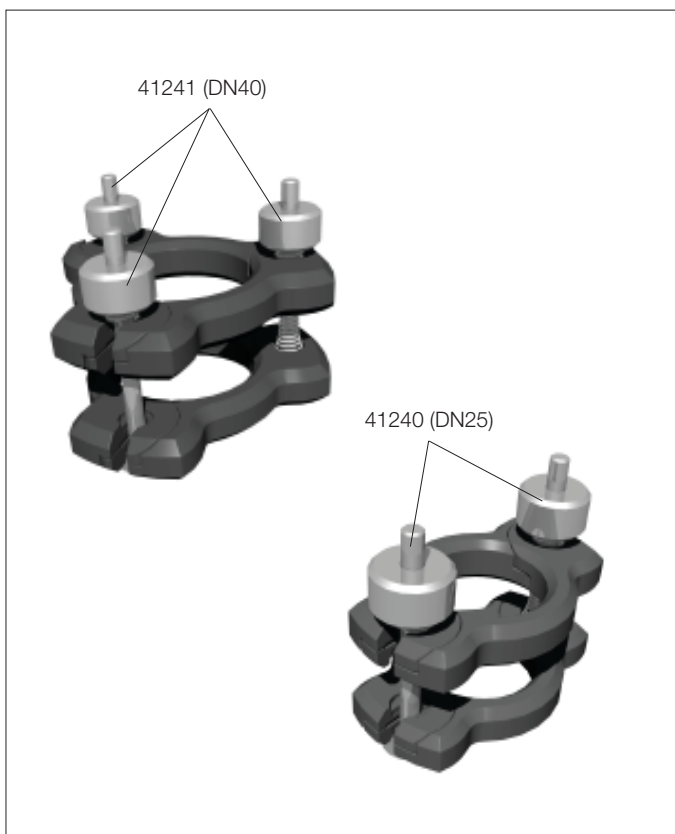
Fig. 8.2: Spare parts, Glass Assemblies R, RB, C



8.2 Spare Parts: Glass Assemblies R, RB, C

Component	Ordering No.
Threaded sleeve Svl 22	03577
Seal Svl 22 Id 17 PTFE	05155
Cold trap	25124
Cold trap cover	25979
Seal for cold trap	25981
PTFE hose, Outer Diam. 10.0x1.0	27277
Screwed fitting Svl 22	27289
Hose nipple	41436
Shut-off tap, large, complete	41060
Temperature sensor B, complete	41076
Glass holder C, complete	41079
Glass holder B, complete	41120
EasyClamp DN25	41130
EasyClamp DN40	41131
Pivoting clamp, complete	41151
Glass holder, complete	41155
Clamping lever	41156
Set of 10 teflon discs	41228
Set of bolts for EasyClamp, DN25	41240
Set of bolts for EasyClamp, DN40	41241
Inlet valve, complete	41348
Condenser R	41399
Condenser, Bullfrog R	41458
Condensate cooler	46510
Distribution piece "R"	46511
Cold trap	46518

Table 5: Spare parts, Glass Assemblies R, RB, C



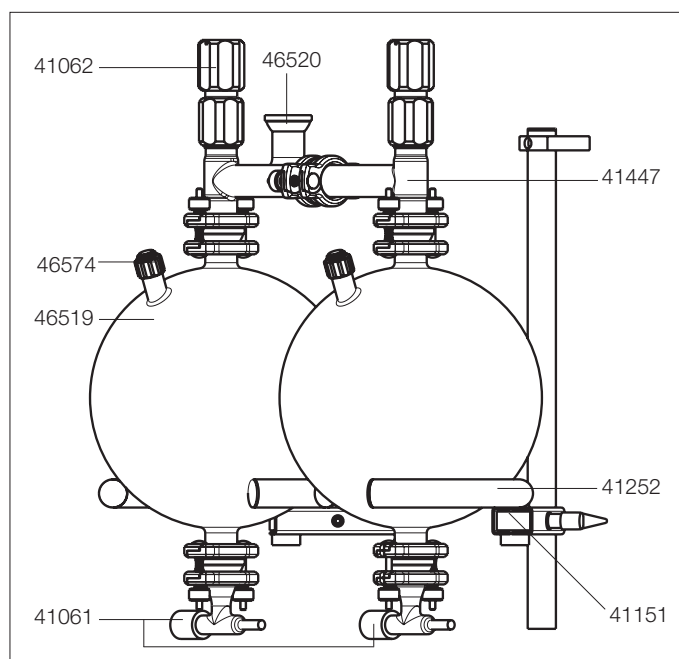


Fig. 8.3: Interchangeable receiver (W)

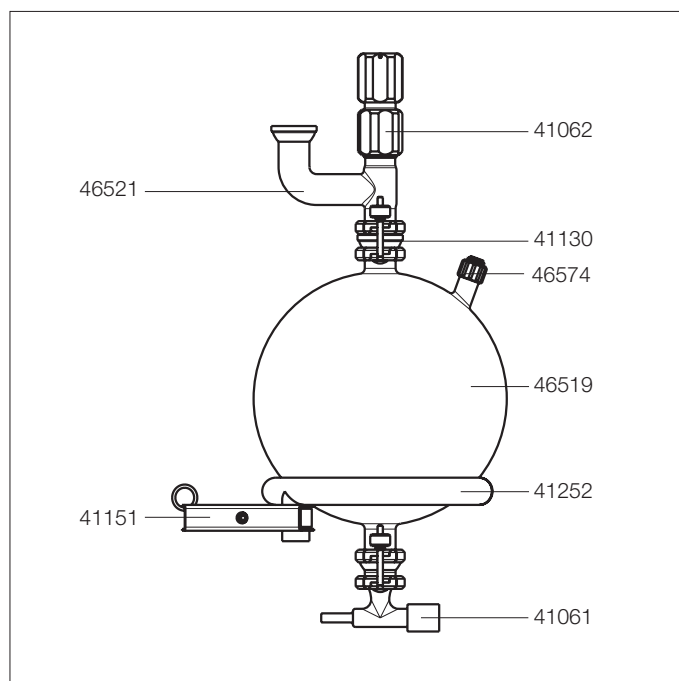


Fig. 8.4: Single receiver (E)

8.3 Miscellaneous

Component Ordering No.

Interchangeable receiver (W)

Ventilation cap	46574
Outlet valve, DN25/2	41061
Shut-off tap, small, complete	41062
EasyClamp, DN25	41130
Pivoting clamp, complete	41151
Base for flask	41252
Branching piece 1	41447
Receiving flask 10L	46519
Branching piece 2	46520

Single receiver (E)

Ventilation cap	46574
Outlet valve, DN25/2	41061
Shut-off tap, small, complete	41062
EasyClamp, DN25	41130
Pivoting clamp, complete	41151
Base for flask	41252
Receiving flask 10L	46519
Branching piece	46521

Hose Connections

Pressure tube ID 8,0 (PVC)	04113
tube synthetic rubber, Ø6/13mm, black, per m	11063244
Condenser hose, ID 10,0 x 2,0 (PVC)	27146
PTFE hose, ID 8,0 x 1,0	27277
PTFE hose, ID 8,0 x 1,0 conductive	40039
Spiralflex hose, ID 16 mm	41441

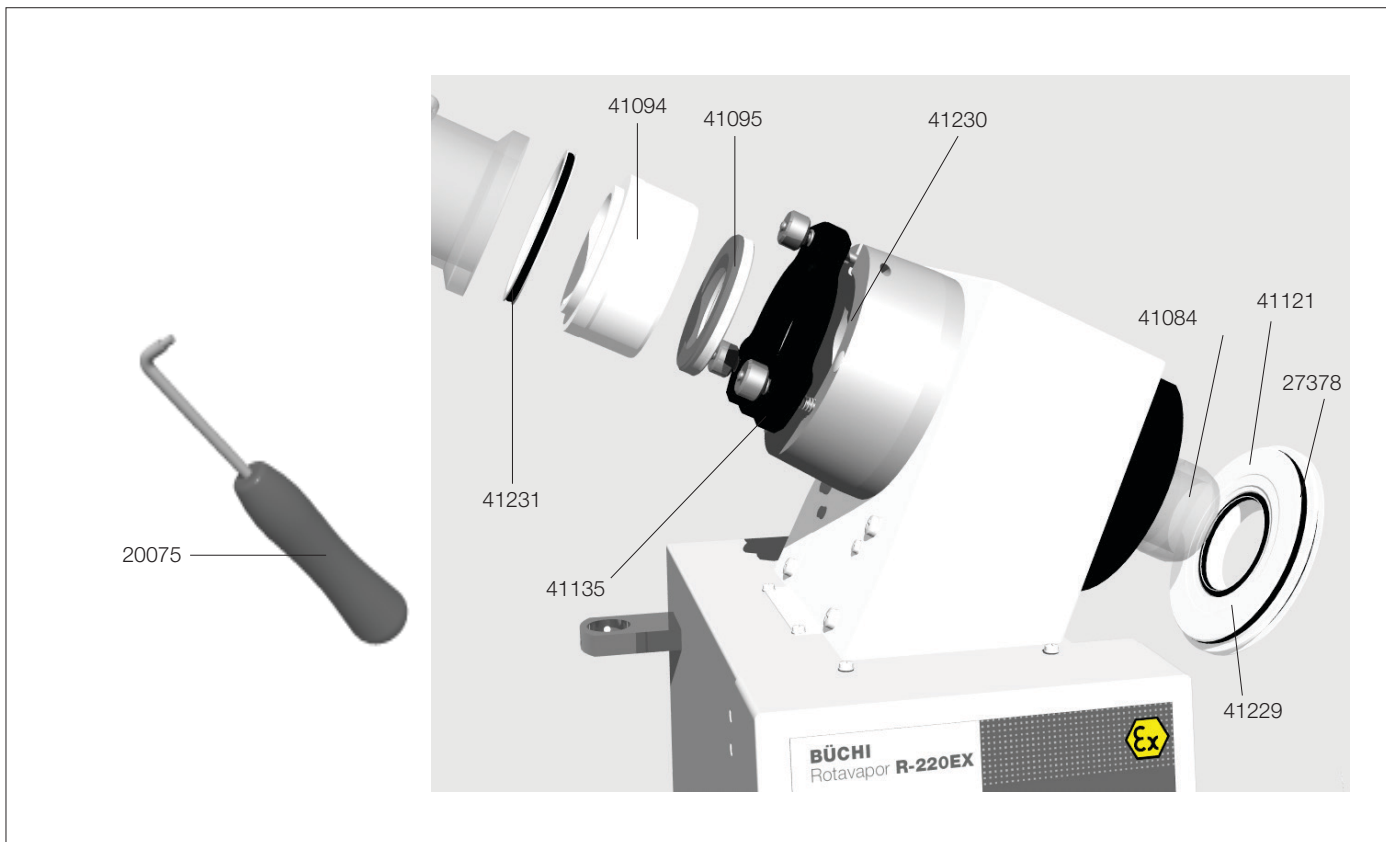


Fig. 8.5: Sealing elements

Component

Ordering No.

Sealing elements

Seal SVL 30	00398
Screw Cap SVL 30	03223
Screw Cap SVL 15	03549
Seal tool	20075
O-ring 130x5.0 Fpm70	27378
Vapor duct	41084
Seal holder	41094
Vacuum seal	41095
Evaporating flask seal, complete	41121
Easy Clamp element, DN70	41135
Support ring inlet valve	41147
Set of 5 O-rings 64x5.0	41229
Set of 10 cover caps, D11 Pa	41230
Set of distribution head sealings	41231
Glass body	41346
Inlet valve, complete	41348
Connection, PTFE	41354
PTFE bellow	41388
Set of 5 SVL 15 seals	41946

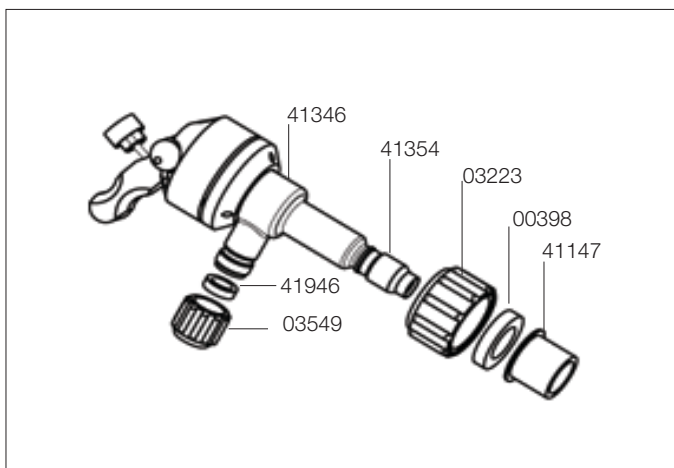


Fig. 8.6: Inlet valve, complete



Fig. 8.7: Snap flange coupling, complete

Component	Ordering No.
Clip	41110
Detent	41111
Snap flange coupling, complete.	41112

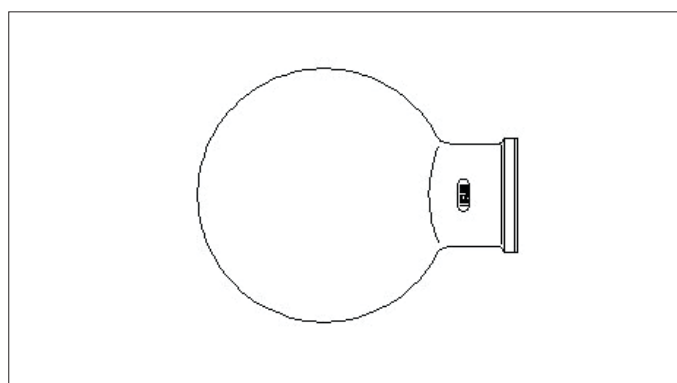


Fig. 8.8: Evaporating flask

6 L Evaporating flask	27470
10 L Evaporating flask	27469
20 L Evaporating flask	27468

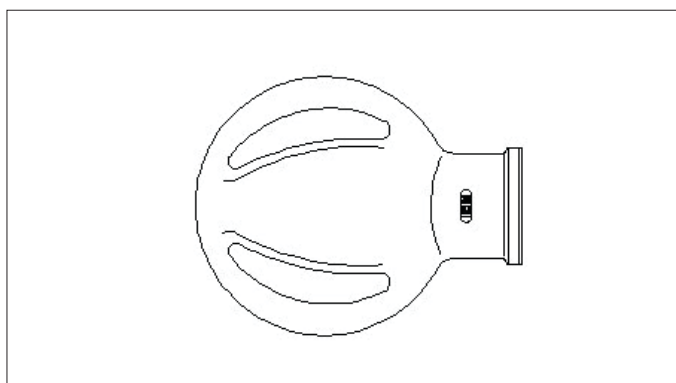


Fig. 8.9: Drying flask

This special flask is particularly suited for drying powdery substances or a homogeneous mixture of solid products. The baffles attached on the circumference of the flask ensure an intensive circulation of the contents inside the flask.

10 L Drying flask	28592
20 L Drying flask	28593



Cover for evaporating flask, PE

11057349



Fig. 8.11: Splash Protector

8.4 Accessories

Component	Ordering No.
Splash Protector	
Splash Protector	46431



Fig. 8.12: Trolley

Trolley

Trolley for R-220 and R-220Ex	41257
-------------------------------	--------------

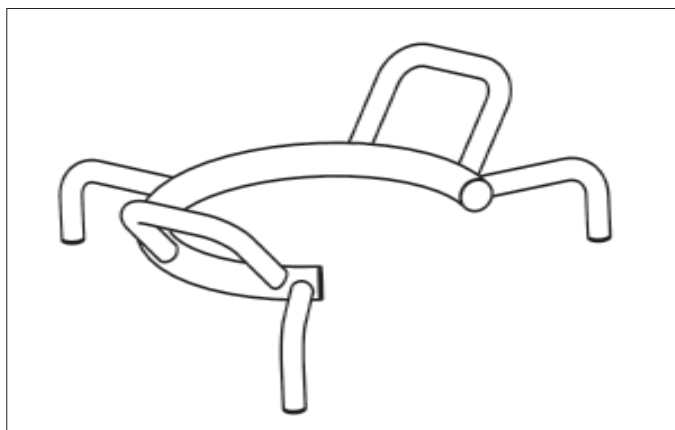


Fig.8.13: Manual flask handler

Manual flask handler

Manual flask handler for 20L flask	41400
------------------------------------	--------------

Vacuum Controller (EX)**Component** **Ordering No.**

Vacuum controller Ex, complete	11060831
Valve body, stainless, complete	41424
In-line valve 24 V (encapsulated)	41488

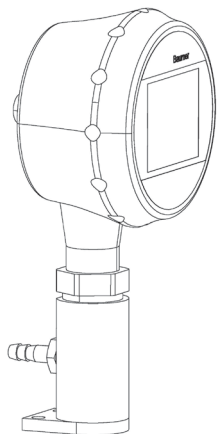


Fig. 8.14: Valve body complete and Controller Ex

9 Appendix

9.1 Technical Data

R-220 EX

Power Connection	4.2 kW
Connection Voltage	200 VAC / 230 VAC / 400 VAC \pm 10 %
Frequency	50 - 60 Hz
Site condition	for indoor use only, altitude up to 2000 m. maximum relative humidity 80% for temperatures up to 30°C decreasing linearly to 50% relative humidity at 40°C
Ambient temperature	5-40°C
Aeration	Oil-free, 4 to 8 bar, 10m ³ /hour
Evaporator output	Up to 4 l/h water, higher for other solvents (depending on the heat of evaporation)
Rotary drive	Pneumatic
Speed control	Infinitely variable using precision control valve
Bath output	3600 W, Heat introduction 3W/cm ²
Bath dimensions	\varnothing 430 mm x 240 mm, Bath capacity 20 l, without flask immersed
Bath pan	Stainless steel X2CrNiMo 17 13 2 (1.4404 or 316L)
Bath heater control	Electronic, with PT-1000, Control accuracy -2 to +1°C
Range of bath temperatures	20°C – 150°C
Overheating protection	Mechanical overtemperature switch (135°C or 175°C)
Bath lift	Pneumatic
Measurement of vapor temperature	PT-1000
Displays	Vapor temperature and bath temperature
Vacuum pump	Recommended suction output 2 – 4 m ³ /h
Cooling water consumption	120 – 200 l/h, with needle valve control
Cooling water pressure	max. 2.7 bar abs., without any pulsation
Weight	75 kg, without glass
Dimensions	max. 1800 mm high (1430 mm for Bullfrog version), max. 1250 mm wide, max. 650 mm deep (these dimensions vary depending on glass assembly)

Table 9.1: Technical Data

9.2 Materials Used

Part	Description	Code
Chassis	X5CrNi 18 10	1,4301 or 304
Bath pan	X2CrNiMo 17 13 2	1,4404 or 316L
Glass	Borosilicate 3.3	
Seals	Polytetrafluorethylene	PTFE
Taps	Polytetrafluorethylene	PTFE

Table 9.2: Materials Used

9.3 Error Messages

Error messages indicate a defect on the unit and are signalled on the upper display. They appear with an “P” at the start, followed by a specific number:

P184 :	Message:	Output from the vapour temperature sensor not within the valid range.
	Cause:	Sensor defective or not connected.
	Action:	The bath heater is switched OFF.
	Acknowledgment:	Switch the unit OFF.

Table 9.3: Error messages

9.4 FCC requirements (for USA and Canada)

English:

This equipment has been tested and found to comply with the limits for a Class A digital device, pursuant to both Part 15 of the FCC Rules and the radio interference regulations of the Canadian Department of Communications. These limits are designed to provide reasonable protection against harmful interference when the equipment is operated in a commercial environment.

This equipment generates, uses and can radiate radio frequency energy and, if not installed and used in accordance with the instruction manual, may cause harmful interference to radio communications. Operation of this equipment in a residential area is like to cause harmful interference in which case the user will be required to correct the interference at his own expense.

Français:

Cet appareil a été testé et s'est avéré conforme aux limites prévues pour les appareils numériques de classe A et à la partie 15 des règlementation FCC à la règlementation des radio-interférences du Canadian Department of communications. Ces limites sont destinées à fournir une protection adéquate contre les interférences néfastes lorsque l'appareil est utilisé dans un environnement commercial.

Cet appareil génère, utilise et peut radier une énergie à fréquence radioélectrique, il est en outre susceptible d'engendrer des interférences avec les communications radio, s'il n'est pas installé et utilisé conformément aux instructions du mode d'emploi. L'utilisation de cet appareil dans les zones résidentielles peut causer des interférences néfastes, auquel cas l'exploitant sera amené à prendre les dispositions utiles pour polier aux interférences à ses propres frais.



THE EXPLOSIONPROOFING COMPANY



EU-Konformitätserklärung
Déclaration UE de conformité
EU-Declaration of conformity

Wir / Nous / We,

thuba AG
Postfach 431
CH-4015 Basel
Switzerland

erklären in alleiniger Verantwortung, dass die

déclarons de notre seule responsabilité que les

Rotavapor R-220 Ex / R-250 Ex

bearing sole responsibility, hereby declare that the

den grundlegenden Sicherheits- und Gesundheitsschutzanforderungen nach Anhang II der untenstehenden Richtlinie entspricht.

répond aux exigences essentielles en ce qui concerne la sécurité et la santé fondamentales selon l'annexe II des directives suivantes.

satisfies the fundamental health and safety protection requirements according to Annex II of the directive named below.

Bestimmungen der Richtlinie
Désignation de la directive
Provisions of the directive

Titel und/oder Nummer sowie Ausgabedatum der Normen
Titre et/ou No. ainsi que date d'émission des normes
Title and/or No. and date of issue of the standards

2014/34/EU: Geräte und Schutzsysteme zur bestimmungsgemässen Verwendung in explosionsgefährdeten Bereichen

2014/34/UE: Appareils et systèmes de protection destinés à être utilisés en atmosphère explosible

2014/34/EU: Equipment and protective systems intended for use in potentially explosive atmospheres

EN 60079-0:2012+A11:2013
EN 60079-1:2014
EN 60079-7:2015
EN 60079-11:2012
EN 61439-1:2011
EN 61439-2:2011
EN 60204-1:2006+A1:2010
EN 60730-1:2012
EN 60730-2-9:2011
EN 60519-1:2013
EN 60519-2:2007
EN 60529:1991+A1:2000+A2:2013
EN 13463-1 :2009
EN 13463-5 :2011

2014/30/EU: Elektromagnetische Verträglichkeit

2014/30/UE: Compatibilité électromagnétique

2014/30/EU: Electromagnetic compatibility

EN 60947-1:2007+A1:2011+A2:2014
EN 61000-6-2:2005
EN 61000-6-4:2007+A1:2011

Folgende benannte Stelle hat die Bewertung des Moduls «Qualitätssicherung Produktion» nach der Richtlinie 2014/34/EU Anhang IV durchgeführt:

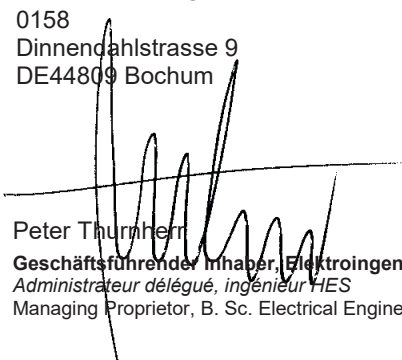
L'organe reconnu ci-après a procédé à l'évaluation de la conformité prescrite par la directive 2014/34/UE de l'annexe IV:

The following notified body has carried out the conformity assessment procedure according to Directive 2014/34/EU, Annex IV:

DEKRA EXAM GmbH
0158
Dinnendahlstrasse 9
DE44809 Bochum

Basel, 3. Juli 2016

Ort und Datum
Lieu et date
Place and date


Peter Thurnherr
Geschäftsführender Inhaber, Elektroingenieur FH
Administrateur délégué, ingénieur HES
Managing Proprietor, B. Sc. Electrical Engineer

BUCHI Affiliates:

Europe

Switzerland/Austria

BUCHI Labortechnik AG
CH – 9230 Flawil
T +41 71 394 63 63
F +41 71 394 64 64
buchi@buchi.com
www.buchi.com

Benelux

BÜCHI Labortechnik GmbH
Branch Office Benelux
NL – 3342 GT Hendrik-Ido-Ambacht
T +31 78 684 94 29
F +31 78 684 94 30
benelux@buchi.com
www.buchi.com/bx-en

France

BUCHI Sarl
FR – 94656 Rungis Cedex
T +33 1 56 70 62 50
F +33 1 46 86 00 31
france@buchi.com
www.buchi.com/fr-fr

Germany

BÜCHI Labortechnik GmbH
DE – 45127 Essen
T +800 414 0 414 0 (Toll Free)
T +49 201 747 49 0
F +49 201 747 49 20
deutschland@buchi.com
www.buchi.com/de-de

Italy

BUCHI Italia s.r.l.
IT – 20010 Cornaredo (MI)
T +39 02 824 50 11
F +39 02 575 12 855
italia@buchi.com
www.buchi.com/it-it

Russia

BUCHI Russia/CIS
Russia 127287 Moscow
T +7 495 36 36 495
russia@buchi.com
www.buchi.com/ru-ru

United Kingdom

BUCHI UK Ltd.
GB – Oldham OL9 9QL
T +44 161 633 1000
F +44 161 633 1007
uk@buchi.com
www.buchi.com/gb-en

Germany

BÜCHI NIR-Online
DE – 69190 Walldorf
T +49 6227 73 26 60
F +49 6227 73 26 70
nir-online@buchi.com
www.nir-online.de

America

Brazil

BUCHI Brasil Ltda.
BR – Valinhos SP 13271-200
T +55 19 3849 1201
F +55 19 3849 2907
brasil@buchi.com
www.buchi.com/br-pt

USA/Canada

BUCHI Corporation
US – New Castle, DE 19720
T +1 877 692 8244 (Toll Free)
T +1 302 652 3000
F +1 302 652 8777
us-sales@buchi.com
www.buchi.com/us-en

Asia

China

BUCHI China
CN – 200233 Shanghai
T +86 21 6280 3366
F +86 21 5230 8821
china@buchi.com
www.buchi.com/cn-zh

India

BUCHI India Private Ltd.
IN – Mumbai 400 055
T +91 22 667 75400
F +91 22 667 18986
india@buchi.com
www.buchi.com/in-en

Indonesia

PT. BUCHI Indonesia
ID – Tangerang 15321
T +62 21 537 62 16
F +62 21 537 62 17
indonesia@buchi.com
www.buchi.com/id-in

Japan

Nihon BUCHI K.K.
JP – Tokyo 110-0008
T +81 3 3821 4777
F +81 3 3821 4555
nihon@buchi.com
www.buchi.com/jp-ja

Korea

BUCHI Korea Inc.
KR – Seoul 153-782
T +82 2 6718 7500
F +82 2 6718 7599
korea@buchi.com
www.buchi.com/kr-ko

Malaysia

BUCHI Malaysia Sdn. Bhd.
MY – 47301 Petaling Jaya,
Selangor
T +60 3 7832 0310
F +60 3 7832 0309
malaysia@buchi.com
www.buchi.com/my-en

Singapore

BUCHI Singapore Pte. Ltd.
SG – Singapore 609919
T +65 6565 1175
F +65 6566 7047
singapore@buchi.com
www.buchi.com/sg-en

Thailand

BUCHI (Thailand) Ltd.
TH – Bangkok 10600
T +66 2 862 08 51
F +66 2 862 08 54
thailand@buchi.com
www.buchi.com/th-th

BUCHI Support Centers:

South East Asia

BUCHI (Thailand) Ltd.
TH-Bangkok 10600
T +66 2 862 08 51
F +66 2 862 08 54
bacc@buchi.com
www.buchi.com/th-th

Middle East

BÜCHI Labortechnik AG
UAE – Dubai
T +971 4 313 2860
F +971 4 313 2861
middleeast@buchi.com
www.buchi.com

Latin America

BUCHI Latinoamérica Ltda.
BR – Valinhos SP 13271-200
T +55 19 3849 1201
F +55 19 3849 2907
latinoamerica@buchi.com
www.buchi.com/es-es

We are represented by more than 100 distribution partners worldwide.
Find your local representative at: www.buchi.com